

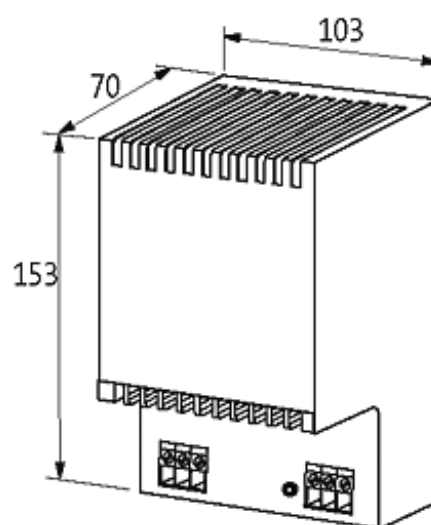
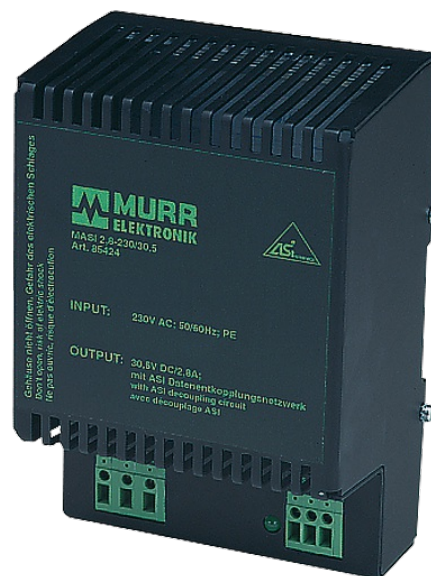
MASI ASI POWER SUPPLY 1-PHASE,

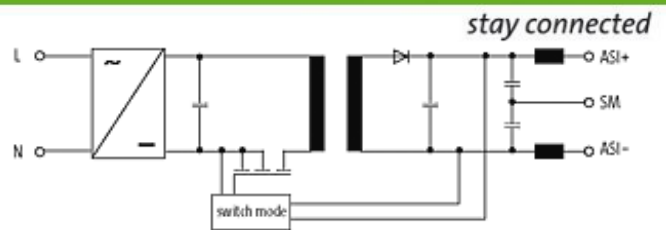
IN: 230VAC OUT : 30,5V/2,8ADC

INPUT : 230 V AC

Current : 2.8 A

Single-phase, primary switched Protection IP20

[Link to Product](#)**Illustration**



Product may differ from Image

Approvals



Input

Input voltage	230 V AC
Input current	0.8 A
Inrush current after 1 ms	max. 20 A
Primary fusing external	max. 10 A (T)
Frequency	50...60 Hz

General data

Standards	EN 60950-1, EN 61204-3, EN 55022 B
Protection	IP20
Mounting method	DIN-rail mountable TH35 (EN 60715)
Efficiency	85%
AS-Interface	Unit complies to AS-Interface specification for power supplies (PELV)
Temperature range	-10...+60 °C

Output

Output voltage	30.5 V DC (SELV), $\pm 3\%$
Output current	max. 2.8 A
Output rating	85.4 W
Mains failure bridging time	min. 30 ms (230 V AC)
Ripple	max. 50 mV p-p
Unit protection	Short-circuit and overload protected
LED display	LED (green) for output voltage
Output filter	Filter acc. to AS-Interface specification

Commercial data

country of origin	CZ
customs tariff number	85044090
EAN	4048879079815
eClass	27049002
Packaging unit	1