

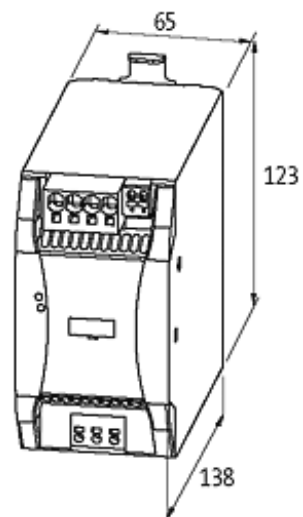
EMPARRO POWER SUPPLY 1-PHASE,

IN: 100-240VAC OUT: 24-28VDC/10A

INPUT : 85...265 V AC/90...250 V DC

OUTPUT : 24...28 V DC

Current: 10 A

[Link to Product](#)**Illustration**

Product may differ from Image

Approvals



Input

Input voltage	85...265 V AC/90...250 V DC
Input current	2.6 A (100 V AC); 1.1 A (240 V AC)
Inrush current after 1 ms	max. 13 A
Power factor	0.95 (230 V AC)
Frequency	50...60 Hz
Input fuse (internal)	6.3 A (T)

General data

Standards	EN 60950-1, EN 61204-3, EN 55011 B, EN 61000-3-2, SEMI F47
Relative humidity	5...95%, no condensation
Protection	IP20
Efficiency	92.8% (110 V AC); 94.3% (230 V AC)
Dimensions H x W x D	123x65x138 mm
Connection	Push-In spring clamp terminals
Mounting method	DIN-rail mountable TH35 (EN 60715)
Temperature range	-40...+60 °C, ...+70 °C derating (storage temperature -40...+80 °C)

Output

Output voltage	24 V DC (SELV), ±1%; 24...28 V adjustable
Power Boost	I _{out} N x 150% (min. 4 s)
Output current	10 A
Mains failure bridging time	min. 30 ms (100 V AC); 10 A (24 V DC)
Ripple	max. 50 mV _{rms}
Spikes	max. 200 mV p-p
Unit protection	Short-circuit and overload protected
LED display	LED (green): OK; LED (red): overload, overheating or short-circuit
Parallel usage/serial usage	max. 5 units/max. 2 units

Commercial data

country of origin	CZ
customs tariff number	85044090
EAN	4048879381499
eClass	27049002
Packaging unit	1