

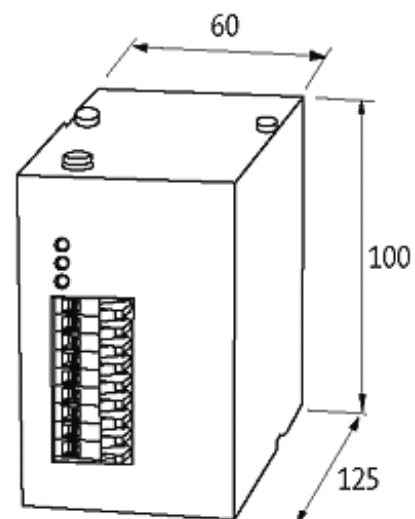
MB CAP ULTRA BUFFER MODUL

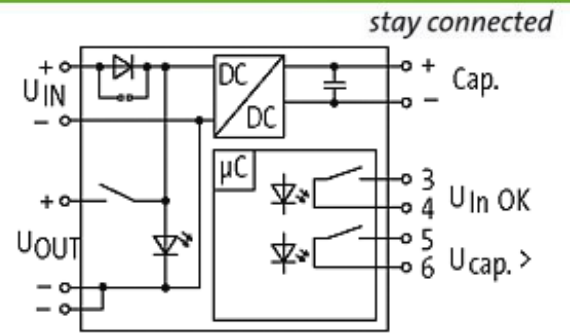
IN: 20,4-26,4VDC OUT :23VDC/3A for max.1A/21S

INPUT : 24 V DC (SELV/PELV)

OUTPUT : max. 3 A

7 s (3 A); 21 s (1 A)

[Link to Product](#)**Illustration**



Product may differ from Image

Approvals



Input

Input voltage	20.4...26.4 V DC
Input current	3 A
Loading time	min. 25 s

General data

Standards	EN 60950, EN 50178, SELV/PELV
Mounting method	DIN-rail mountable TH35 (EN 60715)
Efficiency	90%
Temperature range	-20...+60 °C (storage temperature -20...+60 °C)

Output

Output voltage	23 V DC $\pm 2\%$
Output current	max. 3 A (+60 °C)
Buffer time	7 s (3 A); 21 s (1 A)

Commercial data

country of origin	DE
customs tariff number	85322900
EAN	4048879079808
eClass	27049190
Packaging unit	1