

MB CAP ULTRA BUFFER MODULE

IN: 24VDC OUT: 24VDC/20A for max. 1A/320S

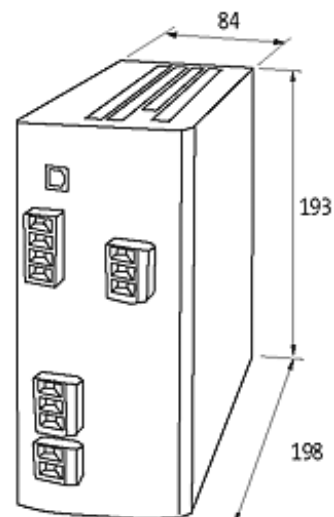
INPUT: 24 V DC (SELV/PELV)

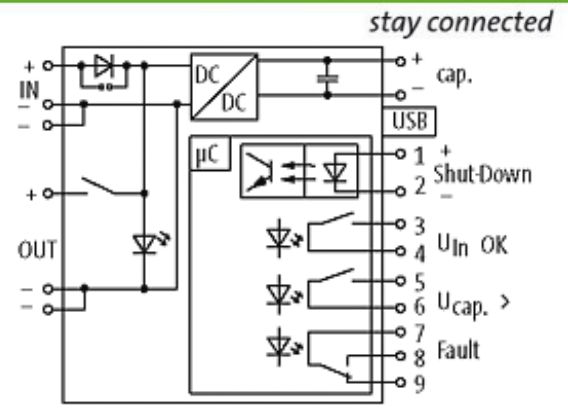
OUTPUT: max. 20 A

16 s (20 A); 320 s (1 A)

[Link to Product](#)

Illustration





Product may differ from Image

Approvals



Input

Input voltage	24...29 V DC
Input current	20 A
Inrush current	max. 36.5 A/2 ms
Loading time	typ. 40 s; max. 500 s

General data

Standards	EN 60950-1, EN 61204-3, EN 55011 A
Mounting method	DIN-rail mountable TH35-7.5/TH35-15 (EN 60715)
Efficiency	90%
Temperature range	-20...+60 °C (storage temperature -20...+60 °C)

Output

Output voltage	23.3 V DC $\pm 2\%$
Output current	max. 20 A (+60 °C)
Buffer time	16 s (20 A); 320 s (1 A)

Commercial data

country of origin	DE
customs tariff number	85322900
EAN	4048879079778
eClass	27049190
Packaging unit	1