

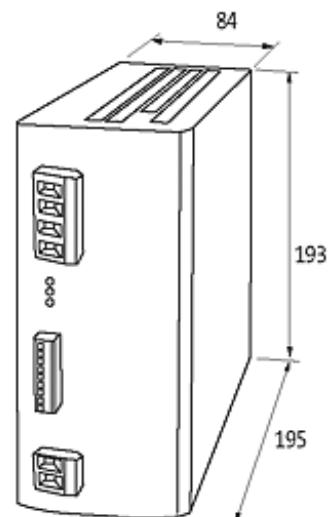
MB CAP ULTRA BUFFER MODULE

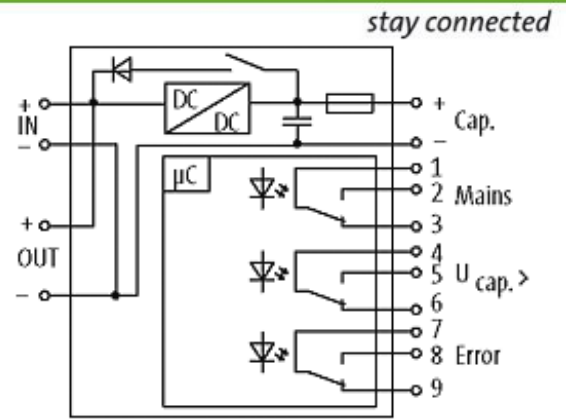
IN: 24VDC OUT: 24VDC/40A for max. 1A/170S

INPUT: 24 V DC (SELV/PELV)

OUTPUT: max. 40 A

3.6 s (40 A); 170 s (1 A)

[Link to Product](#)**Illustration**



Product may differ from Image

Approvals



Input

Input voltage	21.6...26.4 V DC
Input current	40 A
Inrush current	max. 36.5 A
Loading time	typ. 140 s; max. 300 s

General data

Standards	EN 61000-6-2, EN 61000-6-4
Mounting method	DIN-rail mountable TH35-7.5/TH35-15 (EN 60715)
Efficiency	90%
Temperature range	-20...+60 °C (storage temperature -20...+60 °C)

Output

Output voltage	25.5...19 V DC $\pm 2\%$
Output current	max. 40 A (+60 °C)
Buffer time	3.6 s (40 A); 170 s (1 A)

Commercial data

country of origin	DE
customs tariff number	85322900
EAN	4048879404990
eClass	27049190
Packaging unit	1