

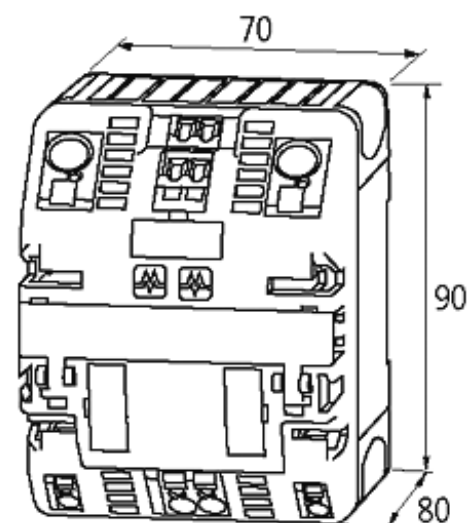
**MB REDUNDANCY BALANCE**

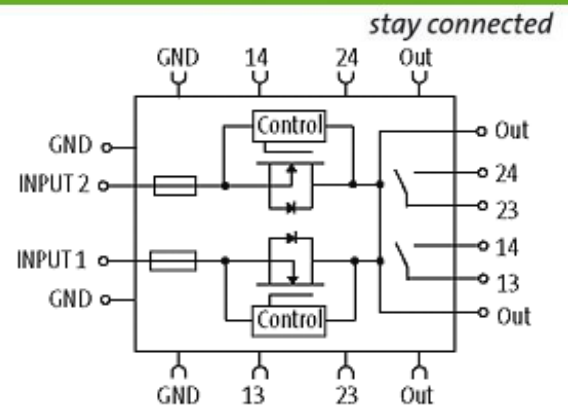
IN: 24VDC/2x20ADC OUT : 24V/20-40ADC

INPUT : 24 V DC (SELV/PELV)

OUTPUT : max. 2 × 20 A / 1 × 40 A

low power loss (MOSFET-Technology)

[Link to Product](#)**Illustration**



Product may differ from Image

### Approvals



### Input

Input voltage	24 V DC (18...30 V DC)
Input current	2 × 20 A
Total current	max. 40 A
Invers-polarity protection	max. 30 V DC
Auto-Balancing (50/50)	yes

### General data

Standards	EN 61000-6-2, EN 61000-6-3
Bridging concept	two sides, with spring clamp terminals or bridge set (max. 40 A)
Relative humidity	5...95%, no condensation
Efficiency	99.5%
Connection	Spring clamp terminals
Mounting method	DIN-rail mountable TH35 (EN 60715)
Temperature range	-25...+60 °C (storage temperature -40...+85 °C)

### Output

Output voltage	24 V DC (18...30 V DC)
Output current	26 A (-25...+40 °C)
LED display	LED (red/green)
Parallel usage/serial usage	2 units: 40 A (-25...+60 °C); 52 A (-25...+40 °C)/-
Alarm output	potential free (relay contact) for input voltage/load distribution

### Commercial data

country of origin	CZ
customs tariff number	85044090
EAN	4048879384698
eClass	27049190
Packaging unit	1

The information in this brochure has been compiled with the utmost care.

Liability for the correctness completeness and topicality of the information is restricted to gross negligence. Version: 03/19

Murrelektronik GmbH | Falkenstraße 3 | 71570 Oppenweiler | Fon +49 (71 91) 47-0 | Fax +49 (71 91) 47-491000 | shop@murrelektronik.com | shop.murrelektronik.com

