

GSS DC/DC-CONVERTOR SWITCH MODE

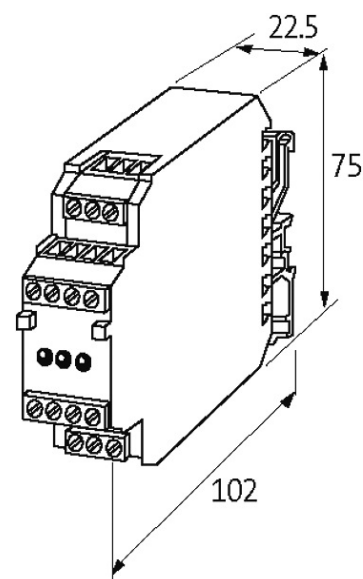
IN: 15-40VDC OUT: 5V/4ADC

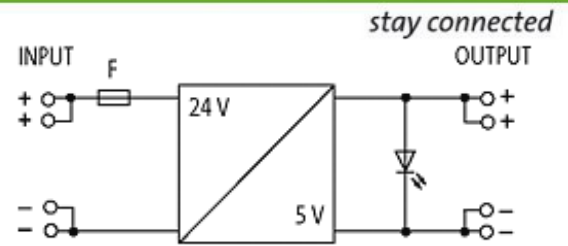
INPUT: 24 V DC

OUTPUT switched mode: 5 V DC

Output rating: 20 W

Current: 4 A

[Link to Product](#)**Illustration**



Product may differ from Image

Input

Input voltage	15...40 V DC
Input current	1.04 A (24 V DC); max. 1.7 A
Input fuse (internal)	2 A (T)

General data

Mounting method	DIN-rail mountable TH35 (EN 60715)
Temperature range	-20...+60 °C, no condensation

Output

Output voltage	5 V DC (SELV), ±5%
Output current	max. 4 A
Ripple	max. 0.2%rms
Output fuse	Short-circuit protected

Commercial data

country of origin	CZ
customs tariff number	85044090
EAN	4048879079563
eClass	27210901
Packaging unit	1