

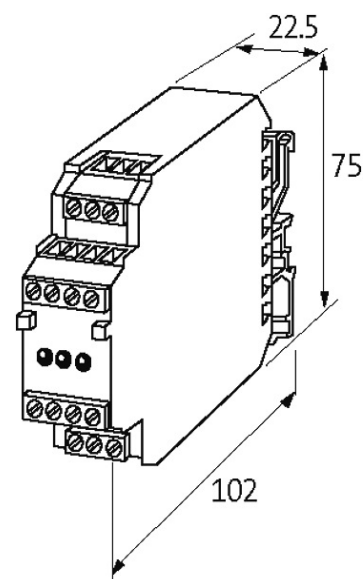
**MDD DC/DC-CONVERTOR SWITCH MODE**

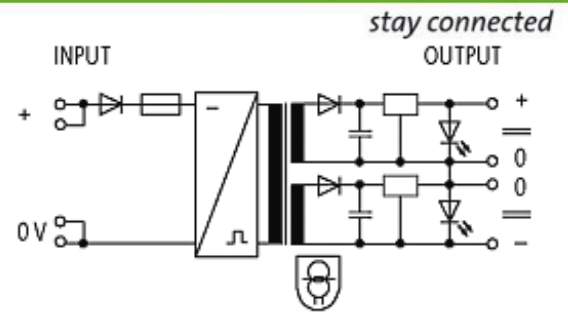
IN: 24VDC OUT: 2x15V/0,25ADC

INPUT: 24 V DC

OUTPUT:  $\pm 15$  V DC

Output rating: 7 W

Current: 2  $\times$  0.25 A[Link to Product](#)**Illustration**



Product may differ from Image

### Input

Input voltage	24 V DC
Input current	0.85 A
Input fuse (internal)	1.5 A (T)

### General data

Standards	EN 61204-3
Test isolation voltage	4 kV (input/output)
Mounting method	DIN-rail mountable TH35 or G32 (EN 60715)
Temperature range	0...+50 °C, no condensation

### Output

Output current	max. 2 × 250 mA
Ripple	max. 0.2% rms
Output fuse	Short-circuit and overload protected, restart after overload by removing power supply
Output voltage	±15 V DC (SELV), ±5%

### Commercial data

country of origin	CZ
customs tariff number	85043121
EAN	4048879079518
eClass	27210901
Packaging unit	1