

## NT 3 AC-DC/DC-CONVERTER, LINEAR REGULATED

IN: 10-32VAC/12-42VDC OUT: 5-35V/3,5ADC

INPUT: 10...35 V AC/12...42 V DC

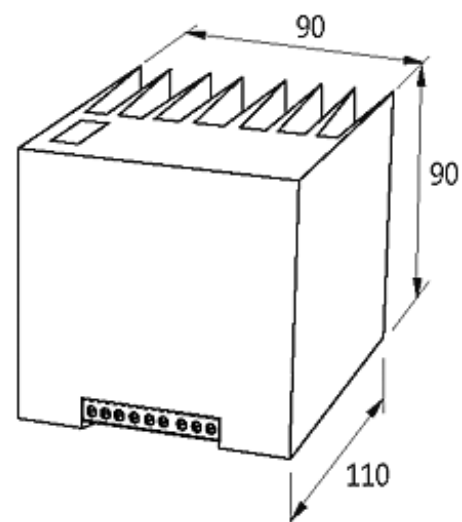
OUTPUT: 5...35 V DC

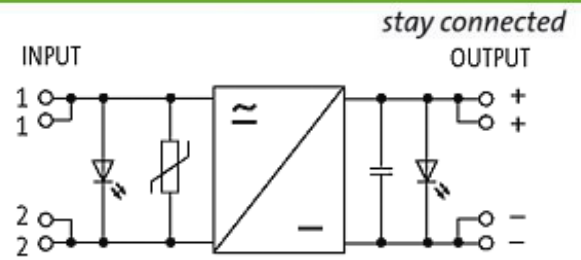
Output rating: 122 W

Current: 3.5 A

### [Link to Product](#)

#### Illustration





Product may differ from Image

### Input

Input voltage	10...32 V AC/12...42 V DC
Input current	max. 3 A
Frequency	50...60 Hz
Input fuse (internal)	6.3 A (T)

### General data

Mounting method	DIN-rail mountable TH35 (EN 60715)
Temperature range	-20...+60 °C, no condensation

### Output

Output voltage	5...35 V DC (SELV), $U_{out-max.} = U_{in} - 5 V$
Output current	max. 3.5 A
Ripple	max. 300 mVrms
Output fuse	Short-circuit protected

### Commercial data

country of origin	CZ
customs tariff number	85044090
EAN	4048879079501
eClass	27210901
Packaging unit	1