

EMPARRO67 HYBRID POWER SUPPLY 1-PHASE, ELECTRONIC AUXILIARY CIRCUIT 2-

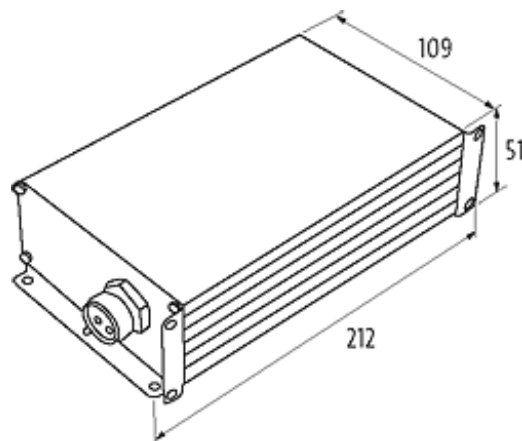
CHANNELS

Emparro®67 10-100-240/24 2×MICO 7/8" IOL
Over current protection device
IO-Link
Preventive Diagnostic
Protection IP67

controllable via IO-Link

[Link to Product](#)

Illustration



Product may differ from Image

More Info

The information in this brochure has been compiled with the utmost care.

Liability for the correctness completeness and topicality of the information is restricted to gross negligence. Version: 03/19

Murrelektronik GmbH | Falkenstraße 3 | 71570 Oppenweiler | Fon +49 (71 91) 47-0 | Fax +49 (71 91) 47-491000 | shop@murrelektronik.com | shop.murrelektronik.com



Input

Input voltage	90...265 V AC/90...265 V DC
Input current	1.1 A (230 V AC)
Inrush current after 1 ms	max. 7 A (230 V AC)
Power factor	0.88 (230 V AC)
Connection	7/8" (male), 3-pole
Frequency	50...60 Hz
Input fuse (internal)	6.3 A (T)

General data

Standards	EN 60950-1, EN 61204-3, EN 55022 B, EN 61000-3-2
Relative humidity	4...100%
Protection	IP67
Efficiency	91.6% (115 V AC); 92.8% (230 V AC)
MTBF	430 000 h
Mounting method	screw fixing
Dimensions H x W x D	212x109x51 mm
Temperature range	-25...+50 °C (storage temperature -40...+85 °C)

Output

Output voltage	24 V DC (SELV), $\pm 1\%$; 24...28 V adjustable
Output current	max. 8 A (per channel), max. 10 A (total)
No. of channels	2xMICO (Over current protection device)
Connection	7/8" (female), 5-pole
Mains failure bridging time	min. 20 ms (230 V AC)
Ripple	max. 10 mVrms
Spikes	max. 150 mV p-p
Unit protection	Short-circuit, overload and temperature
LED display	LED (green): OK; LED (red): overload, overheating or short-circuit
Parallel usage/serial usage	no

Commercial data

country of origin	CZ
customs tariff number	85044090
EAN	4048879634922
eClass	27049002
Packaging unit	1