

MPL POWER SUPPLY 3-PHASE, SMOOTHED

IN: 400VAC+/- 5% OUT: 24V/5ADC

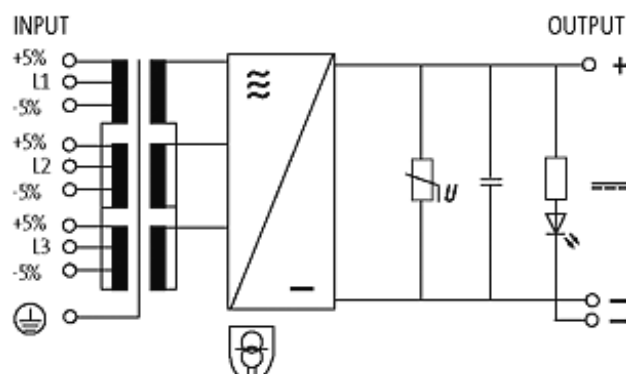
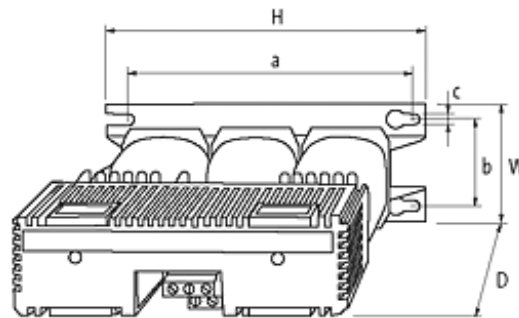
Current: 5 A

Output rating: 120 W

This power supply units meet the (EN 61000-3-2) standard for harmonic current.

[Link to Product](#)

Illustration



Product may differ from image

Product may differ from image

Approvals



Input

Input voltage	3 × 400 V AC ±5%
Input current	0.3 A
Input fuse (external)	0.4 A (T)
Frequency	50...60 Hz

General data

Standards	EN 61558-2-6, EN 62041 category I, EN 55011 B, EN 61000-3-2
Mounting method	Key-hole mounting
Efficiency	72%
Fixing centers a × b × c	10×56.5×5 mm
Dimensions H × W × D	125×72.5×153 mm
Temperature range	-20...+55 °C, for any mounting position at vertical wall, no condensation

Output

Output voltage	24 V DC (SELV)
Output current	max. 5 A
Ripple	max. 2%rms
Output fuse external	5 A (T)
Output filter	LED, VDR and smoothing capacitor

Commercial data

country of origin	CZ
customs tariff number	85044090
EAN	4048879079273
eClass	27049002
Packaging unit	1