

## MPL POWER SUPPLY 3-PHASE, SMOOTHED

IN: 400VAC+/- 5% OUT: 24V/7,5ADC

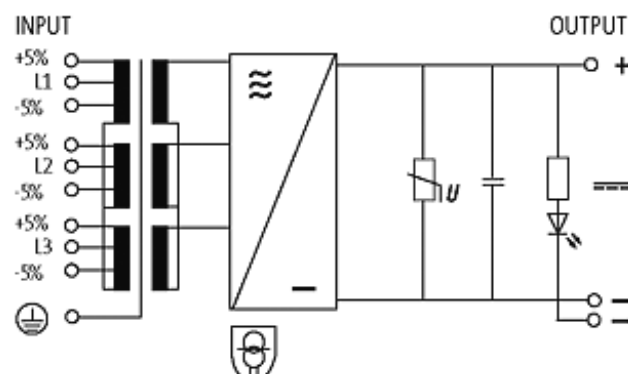
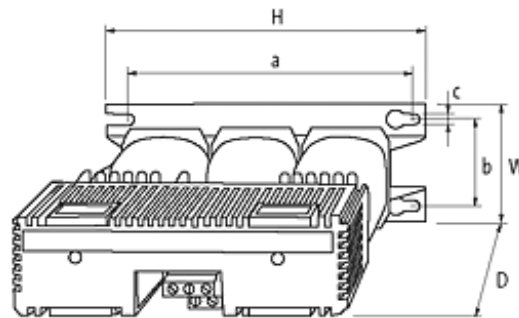
Current: 7.5 A

Output rating: 180 W

This power supply units meet the (EN 61000-3-2) standard for harmonic current.

### [Link to Product](#)

#### Illustration



Product may differ from image

Product may differ from image

### Approvals



### Input

Input voltage	3 × 400 V AC ±5%
Input current	0.42 A (3 × 400 V AC)
Input fuse (external)	0.5 A (T)
Frequency	50...60 Hz

### General data

Standards	EN 61558-2-6, EN 62041 category I, EN 55011 B, EN 61000-3-2
Efficiency	72%
Mounting method	Key-hole mounting
Fixing centers a × b × c	164×58×6.5 mm
Dimensions H × W × D	185×78×188 mm
Temperature range	-20...+55 °C, for any mounting position at vertical wall, no condensation

### Output

Output voltage	24 V DC (SELV)
Output current	max. 7.5 A
Ripple	max. 2%rms
Output fuse external	7.5 A (T)
Output filter	LED, VDR and smoothing capacitor

### Commercial data

country of origin	CZ
customs tariff number	85044090
EAN	4048879079266
eClass	27049002
Packaging unit	1