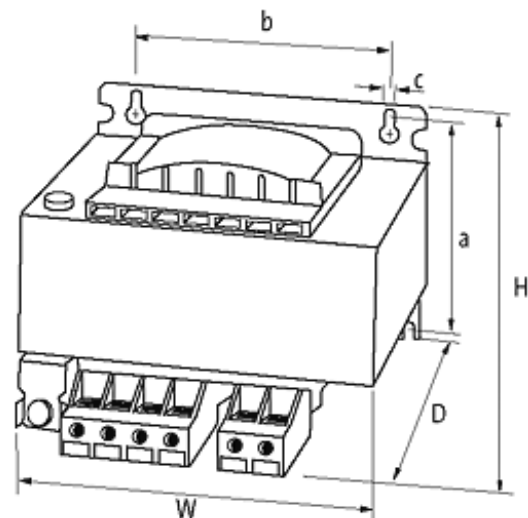
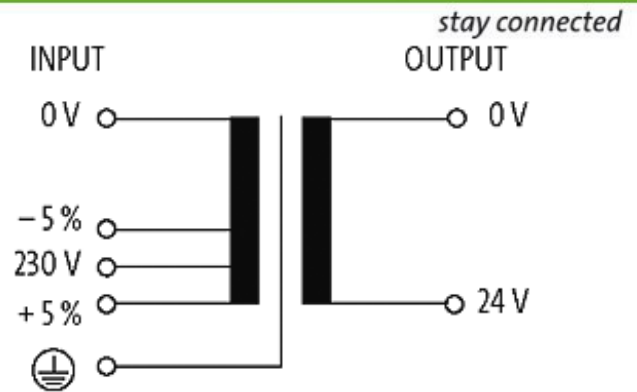


MET 1-PHASE SAFETY TRANSFORMER

P: 500VA IN: 230VAC+/- 5% OUT: 24VAC

Single-phase safety transformer
500 VA
Isolation class T 60/B

[Link to Product](#)**Illustration**



Product may differ from Image

Approvals



Input

Input current	2.3 A (230 V AC)
Inrush current	35.45 A (230 V AC)
Short-circuit current	74.76 A (230 V AC)
Input voltage	230 V AC $\pm 5\%$
Frequency	50...60 Hz

General data

Test isolation voltage	4 kV (prim./sec.)
Standards	EN 61558-1, EN 61558-2-6, EN 62041 category 0
Mounting method	Key-hole mounting
Fixing centers a x b x c	90x122x7 mm
Drill hole \emptyset	7x11 mm
Dimensions H x W x D	112.6x150x146 mm
Temperature range	-20...+60 °C (storage temperature -40...+80 °C)

Output

Output voltage	24 V AC (SELV)
Output rating	500 VA

Commercial data

country of origin	CZ
customs tariff number	85043180
EAN	4048879079037
eClass	27031302
Packaging unit	1