

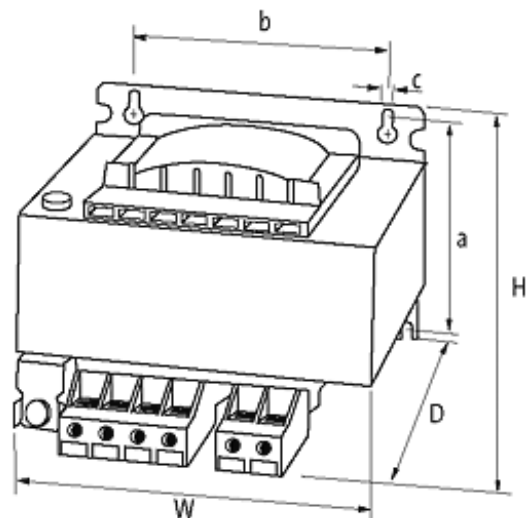
## MET 1-PHASE SAFETY TRANSFORMER

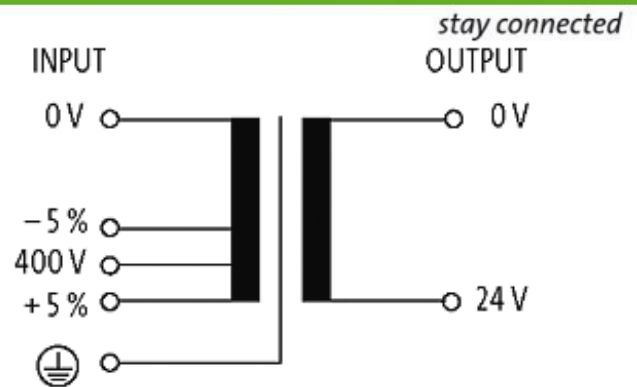
P: 500VA IN: 400VAC+/- 5% OUT: 24VAC

Single-phase safety transformer  
500 VA  
Isolation class T 60/B

### [Link to Product](#)

#### Illustration





Product may differ from Image

### Approvals



### Input

Input voltage	400 V AC $\pm 5\%$
Frequency	50...60 Hz
Input current	2.67 A (400 V AC)
Inrush current	20.76 A (400 V AC)
Short-circuit current	43.13 A (400 V AC)

### General data

Standards	EN 61558-1, EN 61558-2-6, EN 62041 category 0
Test isolation voltage	4 kV (prim./sec.)
Mounting method	Key-hole mounting
Temperature range	-20...+60 °C (storage temperature -40...+80 °C)
Dimensions H x W x D	112.6x150x146 mm
Fixing centers a x b x c	90x122x7 mm
Drill hole $\emptyset$	7x11 mm

### Output

Output voltage	24 V AC (SELV)
Output rating	500 VA

### Commercial data

country of origin	CZ
customs tariff number	85043180
EAN	4048879079020
eClass	27031302
Packaging unit	1