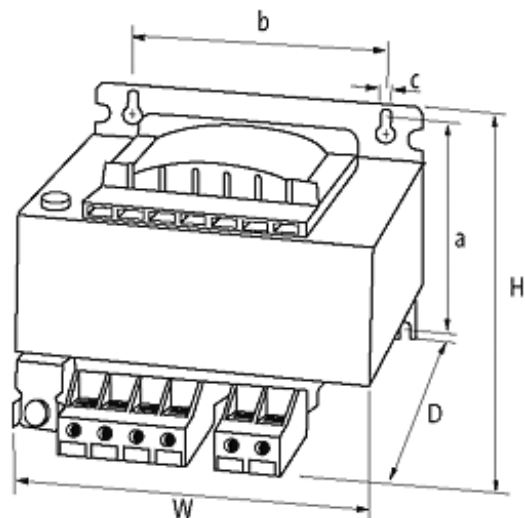
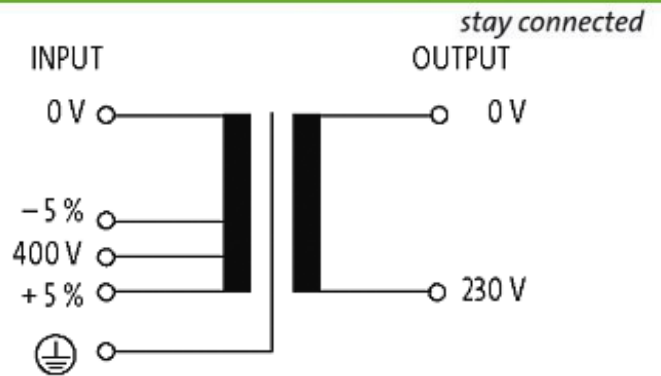


MET 1-PHASE CONTROL AND ISOLATION TRANSFORMER

P: 800VA IN: 400VAC+/- 5% OUT: 230VAC

Single-phase - Control and Isolation Transformers
800 VA
Isolation class T 60/B

[Link to Product](#)**Illustration**



Product may differ from Image

Approvals



Input

Input voltage	400 V AC \pm 5%
Input current	2.15 A (400 V AC)
Inrush current	30.07 A (400 V AC)
Short-circuit current	83.99 A (400 V AC)
Frequency	50...60 Hz

General data

Test isolation voltage	4 kV (prim./sec.)
Standards	EN 61558-1, EN 61558-2-4, EN 62041 category 0
Drill hole \varnothing	7x11 mm
Fixing centers a x b x c	92x135x7 mm
Mounting method	Key-hole mounting
Dimensions H x W x D	118x175x160 mm
Temperature range	-20...+60 °C (storage temperature -40...+80 °C)

Output

Output voltage	230 V AC
Output rating	800 VA

Commercial data

country of origin	CZ
customs tariff number	85043180
EAN	4048879078948
eClass	27031302
Packaging unit	1