

MET 1-PHASE CONTROL AND ISOLATION TRANSFORMER

P: 4000VA IN: 230VAC+/- 5% OUT: 230VAC

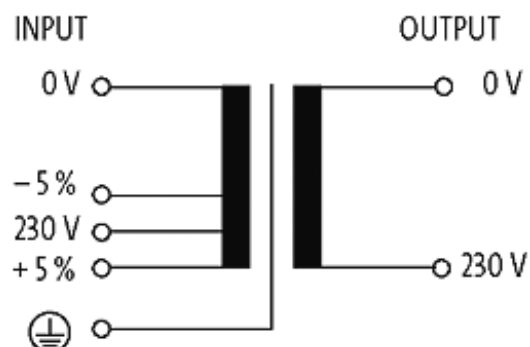
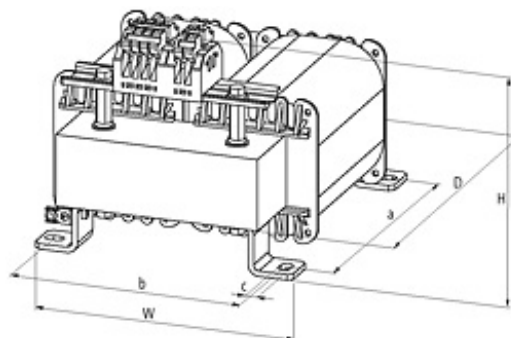
Single-phase - Control and Isolation Transformers

4 000 VA

Isolation class T 40/B

[Link to Product](#)

Illustration



Product may differ from image.

The information in this brochure has been compiled with the utmost care.

Liability for the correctness completeness and topicality of the information is restricted to gross negligence. Version: 03/19

Murrelektronik GmbH | Falkenstraße 3 | 71570 Oppenweiler | Fon +49 (71 91) 47-0 | Fax +49 (71 91) 47-491000 | shop@murrelektronik.com | shop.murrelektronik.com

Product may differ from image

Approvals



Input

| | |
|-----------------------|--------------------|
| Frequency | 50...60 Hz |
| Short-circuit current | 807.5 A (230 V AC) |
| Input current | 18 A (230 V AC) |
| Inrush current | 337 A (230 V AC) |

General data

| | |
|--------------------------|---|
| Standards | EN 61558-1, EN 61558-2-4, EN 62041 category 0 |
| Test isolation voltage | 4 kV (prim./sec.) |
| Dimensions H x W x D | 206x198x250 mm |
| Fixing centers a x b x c | 200x174x9 mm |
| Drill hole Ø | 9x14 mm |
| Mounting method | Long-hole mounting |
| Temperature range | -20...+40 °C (storage temperature -40...+80 °C) |

Output

| | |
|----------------|----------|
| Output voltage | 230 V AC |
| Output rating | 4 000 VA |

Commercial data

| | |
|-----------------------|---------------|
| country of origin | CZ |
| customs tariff number | 85043200 |
| EAN | 4048879078795 |
| eClass | 27031302 |
| Packaging unit | 1 |