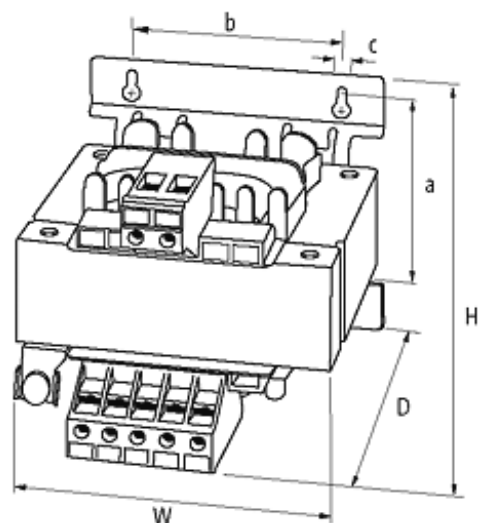


MST 1-PHASE CONTROL AND ISOLATION TRANSFORMER

P: 250VA IN: 208...550VAC OUT: 2x115VAC

Single-phase - Control and Isolation Transformers
250 VA
Isolation class T 40/B

Other voltages on request.

[Link to Product](#)**Illustration**

Packaging unit

1