

## MST 1-PHASE CONTROL AND ISOLATION TRANSFORMER

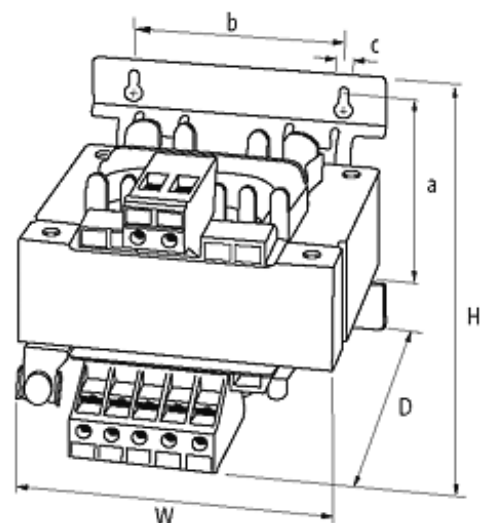
P: 630VA IN: 208...550VAC OUT: 2x115VAC

Single-phase - Control and Isolation Transformers  
630 VA  
Isolation class T 40/B

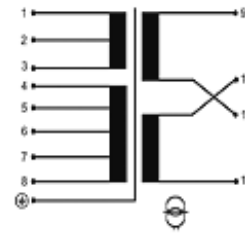
Other voltages on request.

### [Link to Product](#)

#### Illustration



stay connected



Pri. und Sec. Anschluß: /

Pri. and Sec. connection

Einang (V) / Input	Klemme / Clamp	Brücke / Bridge	I <sub>1</sub>
230	1-2	1+4 / 3+7	3,3 A
230	1-2	1+4 / 3+7	3,3 A
380	1-5	2+5	1,8 A
400	1-6	2+8	1,7 A
420	1-6	1+5	1,6 A
440	1-5	3+8	1,6 A
460	1-7	2+8	1,5 A
480	1-7	1+5	1,5 A
500	1-7	3+8	1,5 A
525	1-8	3+5	1,5 A
550	1-8	3+8	1,5 A
<b>2x 115</b>	<b>9-11 u. 10-12</b>		<b>2,8 A</b>
115	9-12	9+10/11+12	5,5 A
230*	9-12	10+11	2,8 A

\*Nennleistung / delivered

Product may differ from Image

## Approvals



## Input

Input voltage	208, 230, 380, 400, 420, 440, 460, 480, 500, 525, 550 V AC
Input current	0.84 A (230 V AC); 0.42 A (460 V AC)
Inrush current	12 A (230 V AC)
Short-circuit current	15.6 A (230 V AC)
Frequency	50...60 Hz

## General data

Standards	EN 61558-1, EN 61558-2-4, EN 62041 category 0
Test isolation voltage	4 kV (prim./sec.)
Mounting method	Long-hole mounting or DIN-rail mountable TH35 (EN 60715)
Dimensions H x W x D	129.4x150x150 mm
Fixing centers a x b x c	107.5x122 mm
Drill hole Ø	4.8x8.4 mm
Temperature range	-20...+40 °C (storage temperature -40...+80 °C)

## Output

Output voltage	1 x 230, 1 x 115, 2 x 115 V AC
Output rating	630 VA

## Commercial data

country of origin	CZ
customs tariff number	85043180
EAN	4048879449120
eClass	27031302
Packaging unit	1