

MST single phase safety transformer

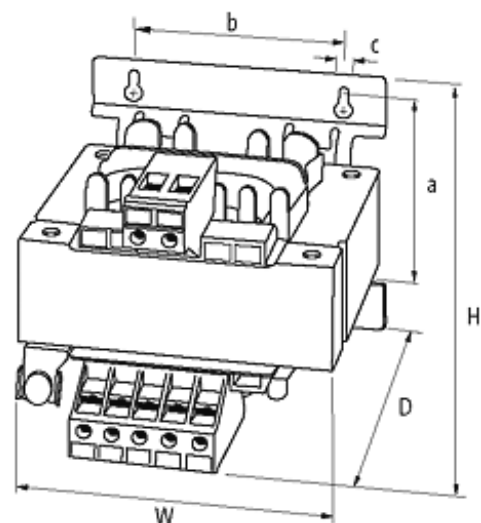
P: 250VA IN: 208...550VAC OUT: 24VAC

Single-phase - Control and Isolation Transformers
250 VA
Isolation class T 40/B

Other voltages on request.

[Link to Product](#)

Illustration



Packaging unit

1