

MST 1-PHASE CONTROL AND ISOLATION TRANSFORMER

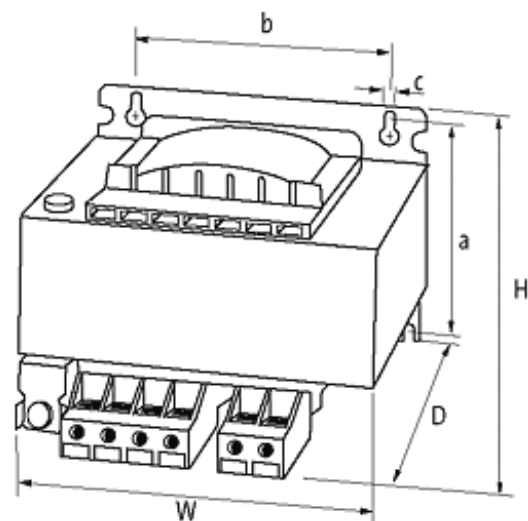
P: 400VA IN: 230/400VAC OUT: 230VAC

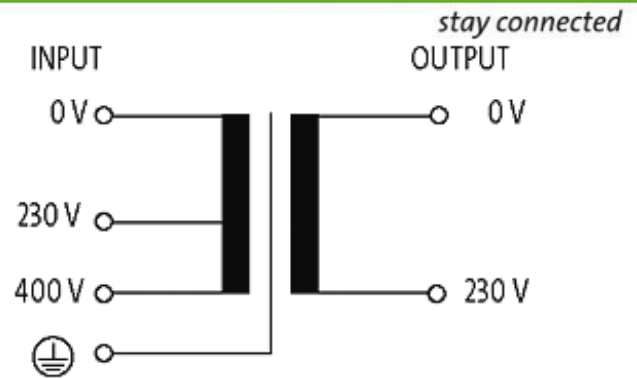
Single-phase - Control and Isolation Transformers
400 VA
Isolation class T 40/B

Other voltages on request.

[Link to Product](#)

Illustration





Product may differ from Image

Approvals



Input

Input voltage	230/400 V AC
Frequency	50...60 Hz
Input current	1.95 A (230 V AC); 1.1 A (400 V AC)
Inrush current	52.3 A (230 V AC); 30.2 A (400 V AC)
Short-circuit current	43 A (230 V AC); 24.9 A (400 V AC)

General data

Dimensions H x W x D	104x120x123 mm
Fixing centers a x b x c	86.5x90x5.8 mm
Drill hole Ø	5.8x10 mm
Standards	EN 61558-1, EN 61558-2-4, EN 62041 category 0
Test isolation voltage	4 kV (prim./sec.)
Mounting method	Key-hole mounting
Temperature range	-20...+40 °C (storage temperature -40...+80 °C)

Output

Output voltage	230 V AC
Output rating	400 VA

Commercial data

country of origin	CZ
customs tariff number	85043180
EAN	4048879078665
eClass	27031302
Packaging unit	1