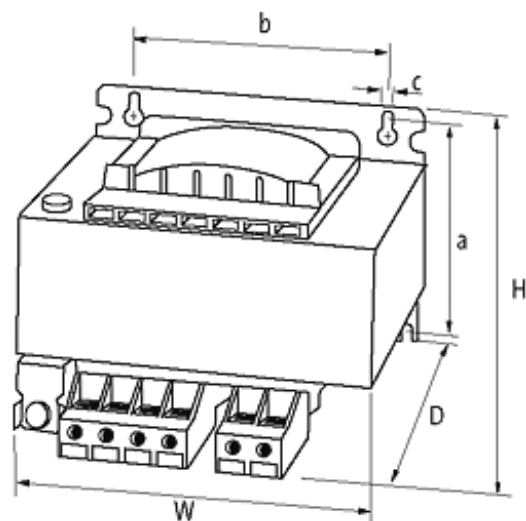


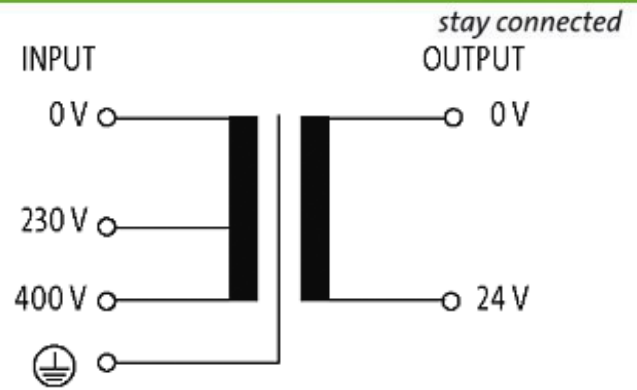
MST 1-PHASE SAFETY TRANSFORMER

P: 320VA IN: 230/400VAC OUT: 24VAC

Single-phase safety transformer
320 VA
Isolation class T 40/B

Other voltages on request.

[Link to Product](#)**Illustration**



Product may differ from Image

Approvals



Input

Input voltage	230/400 V AC
Frequency	50...60 Hz
Inrush current	17.5 A (230 V AC); 10.1 A (400 V AC)
Short-circuit current	28 A (230 V AC); 16.1 A (400 V AC)
Input current	1.52 A (230 V AC); 0.88 A (400 V AC)

General data

Standards	EN 61558-1, EN 61558-2-6, EN 62041 category 0
Test isolation voltage	4 kV (prim./sec.)
Mounting method	Key-hole mounting
Temperature range	-20...+40 °C (storage temperature -40...+80 °C)
Dimensions H x W x D	92x120x122.4 mm
Fixing centers a x b x c	74.4x90x5.8 mm
Drill hole Ø	5.8x10 mm

Output

Output voltage	24 V AC (SELV)
Output rating	320 VA

Commercial data

country of origin	CZ
customs tariff number	85043180
EAN	4048879078610
eClass	27031302
Packaging unit	1