

## MTS 1-PHASE SAFETY TRANSFORMER

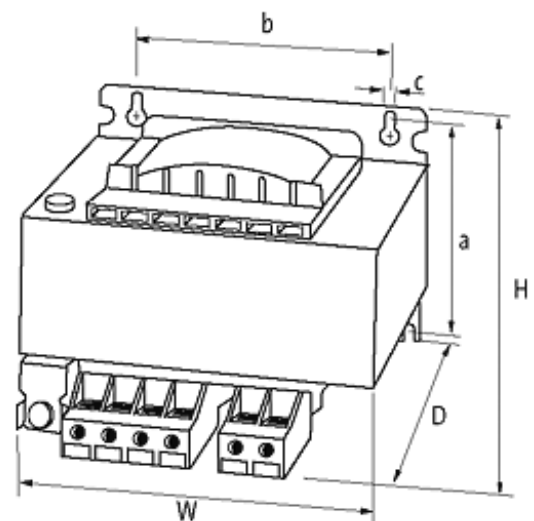
P: 250VA IN: 230/400VAC OUT: 24VAC

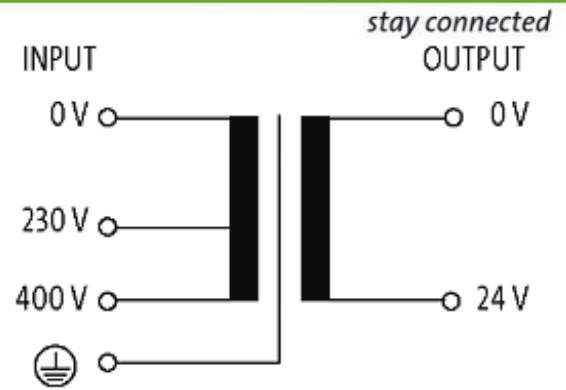
Single-phase safety transformer  
250 VA  
Isolation class T 40/B

Other voltages on request.

### [Link to Product](#)

#### Illustration





Product may differ from Image

### Approvals



### Input

Input voltage	230/400 V AC
Frequency	50...60 Hz
Input current	1.2 A (230 V AC); 0.69 A (400 V AC)
Inrush current	8.2 A (230 V AC); 4.74 A (400 V AC)
Short-circuit current	1.83 A (230 V AC); 1.02 A (400 V AC)

### General data

Standards	EN 61558-1, EN 61558-2-6, EN 62041 category 0
Test isolation voltage	4 kV (prim./sec.)
Mounting method	Long-hole mounting or DIN-rail mountable TH35 (EN 60715)
Temperature range	-20...+40 °C (storage temperature -40...+80 °C)
Dimensions H x W x D	102x96x108 mm
Fixing centers a x b x c	86.5x84x4.8 mm
Drill hole Ø	4.8x8.4 mm

### Output

Output voltage	24 V AC (SELV)
Output rating	250 VA

### Commercial data

country of origin	CZ
customs tariff number	85043180
EAN	4048879078511
eClass	27031302
Packaging unit	1