

## MTS 1-PHASE CONTROL AND ISOLATION TRANSFORMER

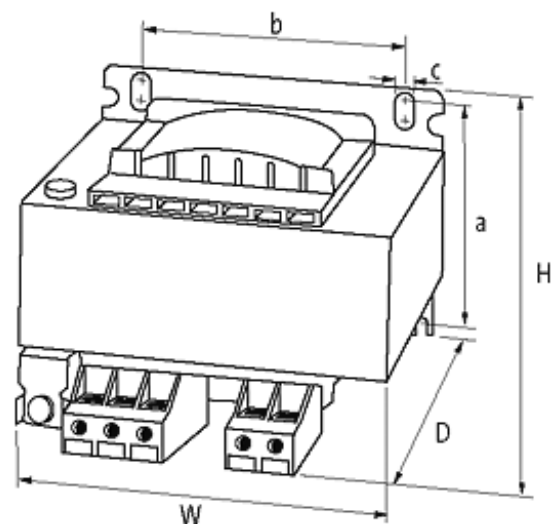
P: 250VA IN: 230/400VAC OUT: 230VAC

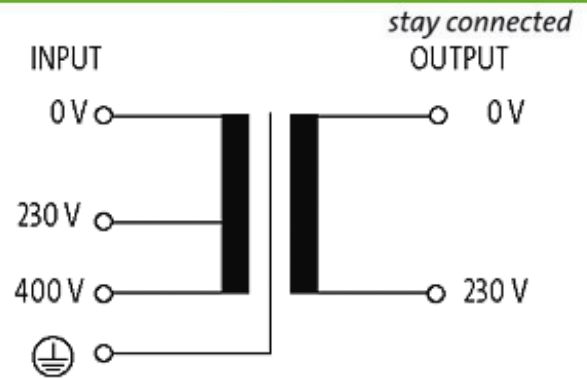
Single-phase - Control and Isolation Transformers  
 250 VA  
 Isolation class T 40/B  
 Protection IP20

Other voltages on request.

### [Link to Product](#)

#### Illustration





Product may differ from Image

### Approvals



### Input

Input voltage	230/400 V AC
Input current	1.17 A (230 V AC); 0.67 A (400 V AC)
Inrush current	8.35 A (230 V AC); 4.82 A (400 V AC)
Short-circuit current	17 A (230 V AC); 9.8 A (400 V AC)
Frequency	50...60 Hz

### General data

Test isolation voltage	4 kV (prim./sec.)
Standards	EN 61558-1, EN 61558-2-4, EN 62041 category 0
Drill hole Ø	4.8×8.4 mm
Mounting method	Long-hole mounting or DIN-rail mountable TH35 (EN 60715)
Fixing centers a × b × c	86.5×84×4.8 mm
Dimensions H × W × D	102×96×108 mm
Temperature range	-20...+40 °C (storage temperature -40...+80 °C)

### Output

Output voltage	230 V AC
Output rating	250 VA

### Commercial data

country of origin	CZ
customs tariff number	85043180
EAN	4048879078467
eClass	27031302
Packaging unit	1