

## MST 1-PHASE CONTROL AND ISOLATION TRANSFORMER

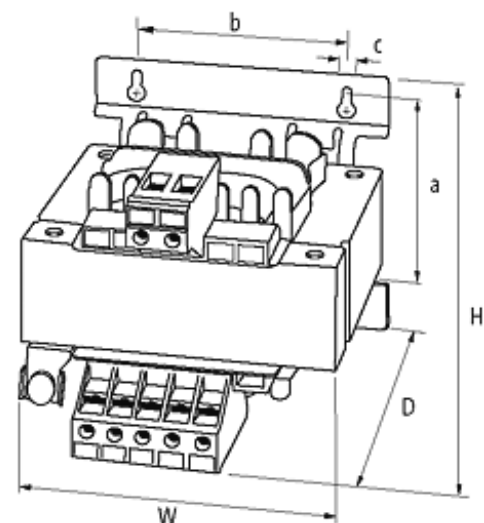
P: 320VA IN: 230/400VAC +/- 15VAC OUT: 230VAC

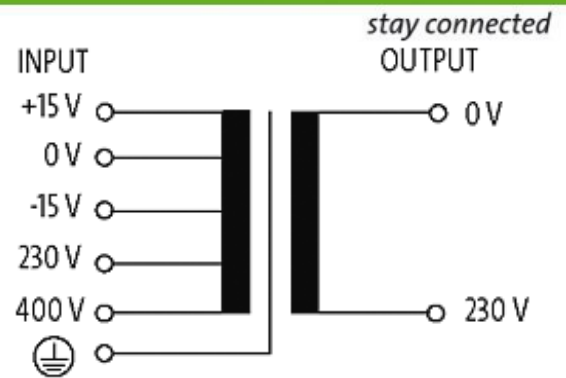
Single-phase - Control and Isolation Transformers  
320 VA  
Isolation class T 40/B

Other voltages on request.

### [Link to Product](#)

#### Illustration





Product may differ from Image

### Input

Input voltage	230/400 ±15 V AC
Input current	1.57 A (230 V AC); 0.9 A (400 V AC)
Inrush current	22 A (230 V AC); 13 A (400 V AC)
Short-circuit current	27 A (230 V AC); 16 A (400 V AC)
Frequency	50...60 Hz

### General data

Standards	EN 61558-2-4, EN 62041 category 0
Test isolation voltage	5.8 kV (prim./sec.)
Mounting method	Key-hole mounting
Dimensions H × W × D	104×120×122 mm
Fixing centers a × b × c	86.4×90×5.8 mm
Temperature range	-20...+40 °C (storage temperature -40...+80 °C)

### Output

Output voltage	230 V AC
Output rating	320 VA

### Commercial data

country of origin	CZ
customs tariff number	85043180
EAN	4048879372381
eClass	27031302
Packaging unit	1