

MST 1-PHASE SAFETY TRANSFORMER

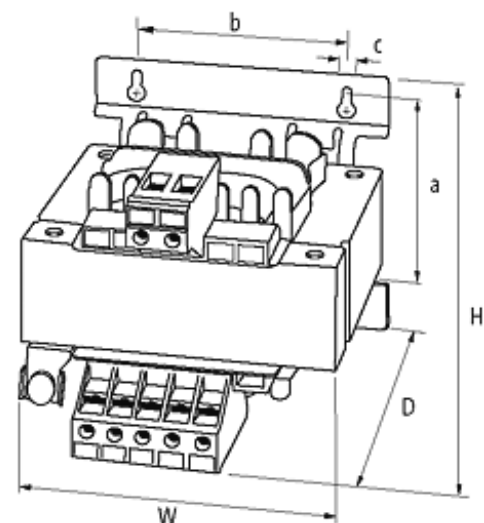
P: 320VA IN: 230/400VAC +/- 15VAC OUT: 24VAC

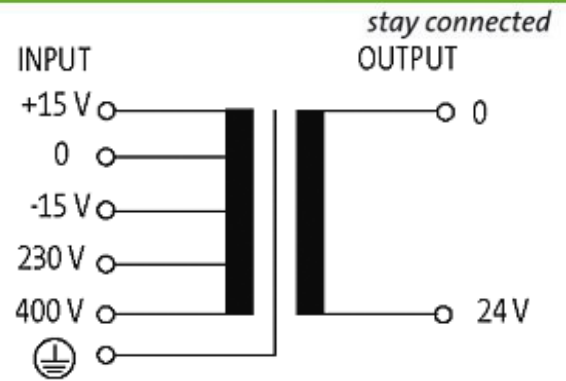
Single-phase - Control and Isolation Transformers
320 VA
Isolation class T 40/B

Other voltages on request.

[Link to Product](#)

Illustration





Product may differ from Image

Input

Input voltage	230/400 ±15 V AC
Input current	1.55 A (230 V AC); 0.9 A (400 V AC)
Inrush current	18 A (230 V AC); 11 A (400 V AC)
Short-circuit current	28 A (230 V AC); 16 A (400 V AC)
Frequency	50...60 Hz

General data

Standards	EN 61558-1, EN 61558-2-6, EN 62041 category 0
Test isolation voltage	5.8 kV (prim./sec.)
Mounting method	Key-hole mounting
Dimensions H × W × D	92×120×122 mm
Fixing centers a × b × c	74.4×90×5.8 mm
Temperature range	-20...+40 °C (storage temperature -40...+80 °C)

Output

Output voltage	24 V AC
Output rating	320 VA

Commercial data

country of origin	CZ
customs tariff number	85043180
EAN	4048879355216
eClass	27031302
Packaging unit	1