

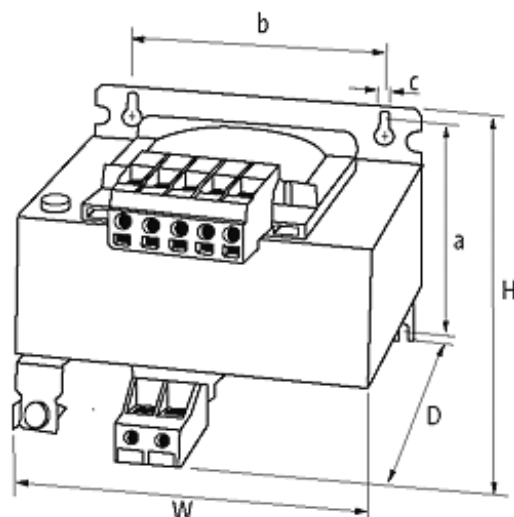
MST 1-PHASE SAFETY TRANSFORMER

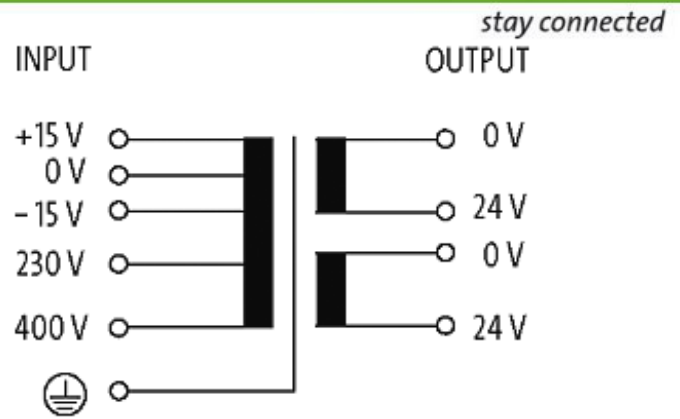
P: 2500VA IN: 230/400VAC+/-15VAC OUT :2x24VAC

Single-phase safety transformer
2 500 VA
Isolation class T 40/B

[Link to Product](#)

Illustration





Product may differ from Image

Approvals



Input

Input voltage	230/400 ±15 V AC
Input current	11.1 A (230 V AC); 6.5 A (400 V AC)
Inrush current	205 A (230 V AC); 98 A (400 V AC)
Short-circuit current	504 A (230 V AC); 300 A (400 V AC)
Frequency	50...60 Hz

General data

Standards	EN 61558-1, EN 61558-2-4, EN 62041 category 0
Test isolation voltage	5.8 kV (prim./sec.)
Mounting method	Long-hole mounting
Dimensions H x W x D	182x192x242 mm
Fixing centers a x b x c	150x150x10 mm
Drill hole Ø	10x18 mm
Temperature range	-20...+40 °C, no condensation

Output

Output voltage	1 x 24, 1 x 48, 2 x 24 V AC
Output rating	2 500 VA

Commercial data

country of origin	CZ
customs tariff number	85043200
EAN	4048879366823
eClass	27031302
Packaging unit	1