

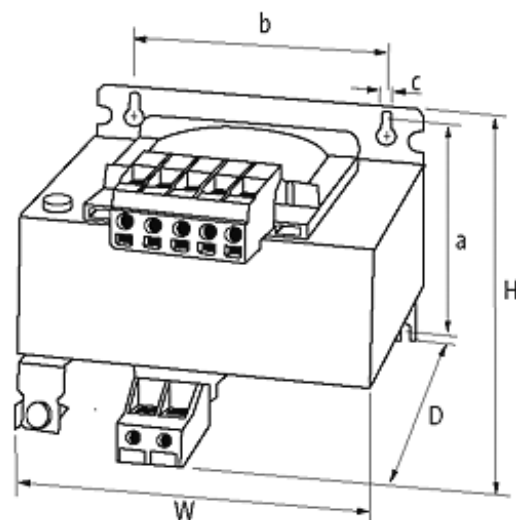
## MST 1-PHASE CONTROL AND ISOLATION TRANSFORMER

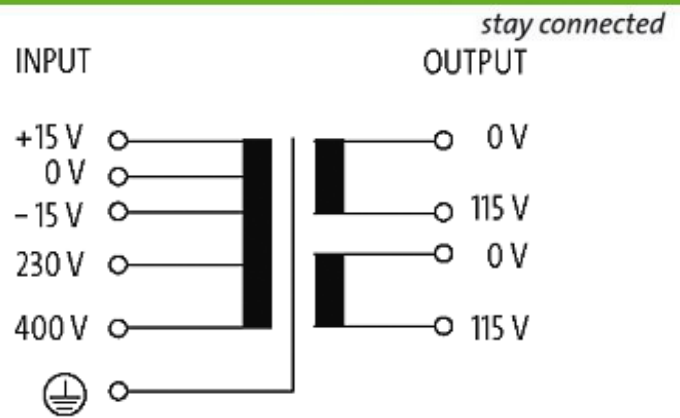
P: 2500VA IN: 230/400VAC +/- 15VAC OUT: 2x115VAC

Single-phase - Control and Isolation Transformers  
 2 500 VA  
 Isolation class T 40/B

### [Link to Product](#)

#### Illustration





Product may differ from Image

### Approvals



### Input

Input voltage	230/400 ±15 V AC
Frequency	50...60 Hz
Inrush current	234 A (230 V AC); 107 A (400 V AC)
Short-circuit current	532 A (230 V AC); 302 A (400 V AC)
Input current	11.4 A (230 V AC); 6.6 A (400 V AC)

### General data

Standards	EN 61558-1, EN 61558-2-4, EN 62041 category 0
Test isolation voltage	5.8 kV (prim./sec.)
Temperature range	-20...+40 °C, no condensation
Mounting method	Long-hole mounting
Dimensions H × W × D	182×192×196 mm
Fixing centers a × b × c	150×150×10 mm
Drill hole Ø	10×18 mm

### Output

Output voltage	1 × 230, 1 × 115, 2 × 115 V AC
Output rating	2 500 VA

### Commercial data

country of origin	CZ
customs tariff number	85043200
EAN	4048879366892
eClass	27031302
Packaging unit	1