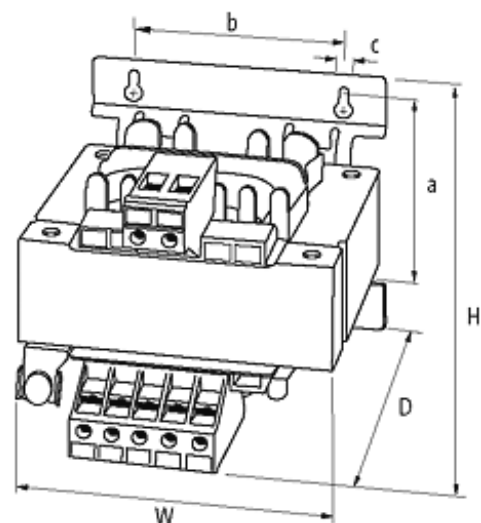


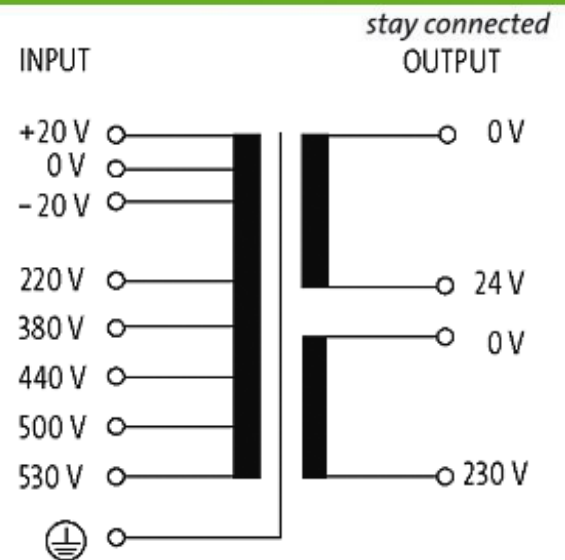
MET SINGLE-PHASE CONTROL AND ISOLATION TRANSFORMER

P:500VA IN:220...530VAC±20VAC OUT :24/230VAC

Single-phase safety transformer
500 VA
Isolation class T 40/B

Other voltages on request.

[Link to Product](#)**Illustration**



Product may differ from Image

Input

Input voltage	220, 380, 440, 500, 530 V AC
Input current	2.5 A (220 V AC); 1.1 A (530 V AC)
Inrush current	59 A (220 V AC); 27 A (530 V AC)
Short-circuit current	52 A (220 V AC); 22 A (530 V AC)
Frequency	50...60 Hz

General data

Standards	EN 61558-1, EN 61558-2-6, EN 62041 category 0
Test isolation voltage	6.3 kV (prim./sec.)
Mounting method	Key-hole mounting
Dimensions H x W x D	109x150x148 mm
Fixing centers a x b x c	82x120x10 mm
Drill hole Ø	7x15 mm
Temperature range	-20...+60 °C (storage temperature -20...+80 °C)

Output

Output voltage	24/230 V AC
Output rating	500 VA

Commercial data

country of origin	CZ
customs tariff number	85043180
EAN	4048879073967
eClass	27031202
Packaging unit	1