

MET SINGLE-PHASE CONTROL AND ISOLATION TRANSFORMER

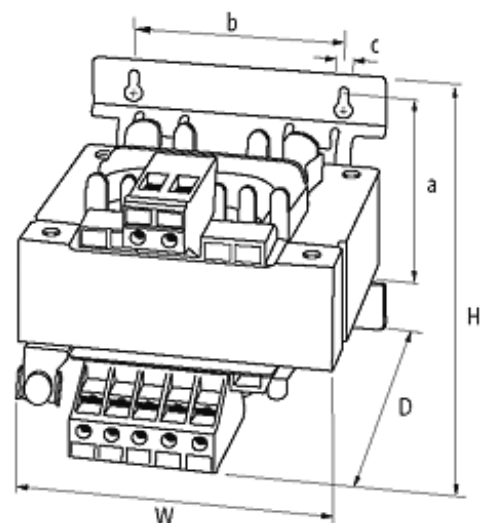
P:250VA IN:220...530VAC±20VAC OUT :230VAC

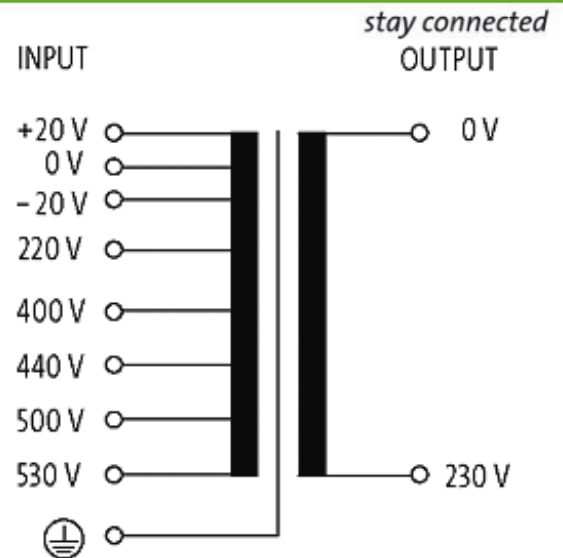
Single-phase safety transformer
250 VA
Isolation class T 40/B

Other voltages on request.

[Link to Product](#)

Illustration





Product may differ from Image

Input

Input voltage	220, 400, 440, 500, 530 V AC
Input current	1.28 A (220 V AC); 0.53 A (530 V AC)
Inrush current	18 A (220 V AC)
Short-circuit current	21 A (220 V AC)
Frequency	50...60 Hz

General data

Standards	EN 61558-1, EN 61558-2-4, EN 62041 category 0
Test isolation voltage	6.2 kV
Mounting method	Key-hole mounting
Fixing centers a × b × c	74.4×90×5.8 mm
Drill hole Ø	5.8×12 mm
Dimensions H × W × D	92.4×120×122 mm
Temperature range	-20...+40 °C (storage temperature -20...+80 °C)

Output

Output voltage	230 V AC
Output rating	250 VA

Commercial data

country of origin	CZ
customs tariff number	85043180
EAN	4048879073943
eClass	27031202
Packaging unit	1