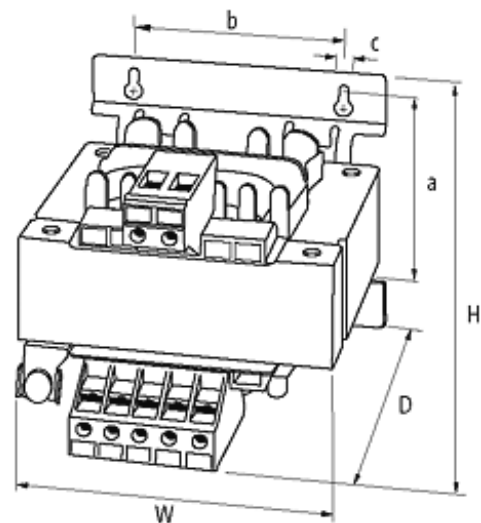


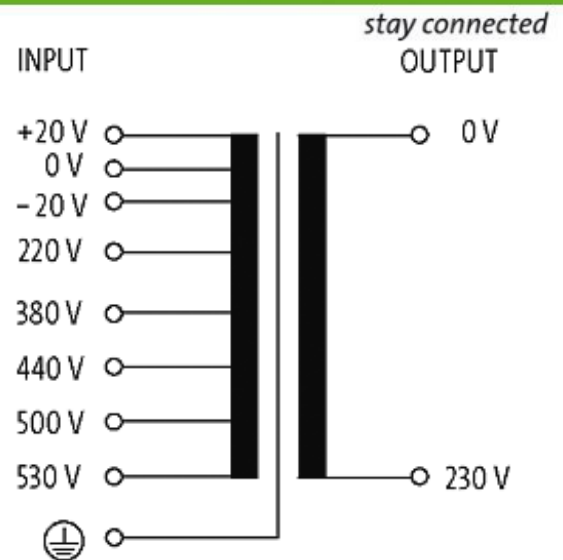
**MET SINGLE-PHASE CONTROL AND ISOLATION TRANSFORMER**

P:500VA IN:220...530VAC±20VAC OUT :230VAC

Single-phase safety transformer  
500 VA  
Isolation class T 60/B

Other voltages on request.

[Link to Product](#)**Illustration**



Product may differ from Image

### Approvals



### Input

Input voltage	220, 380, 440, 500, 530 V AC
Input current	2.51 A (220 V AC); 1.05 A (530 V AC)
Inrush current	40 A (220 V AC)
Short-circuit current	52 A (220 V AC)
Frequency	50...60 Hz

### General data

Standards	EN 61558-1, EN 61558-2-4, EN 62041 category 0
Test isolation voltage	6.3 kV (prim./sec.)
Mounting method	Key-hole mounting
Dimensions H x W x D	112x150x148 mm
Fixing centers a x b x c	91x122x7 mm
Drill hole Ø	7x15 mm
Temperature range	-20...+60 °C, no condensation

### Output

Output voltage	230 V AC
Output rating	500 VA

### Commercial data

country of origin	CZ
customs tariff number	85043180
EAN	4048879073936
eClass	27031202

The information in this brochure has been compiled with the utmost care.

Liability for the correctness completeness and topicality of the information is restricted to gross negligence. Version: 03/19

Murrelektronik GmbH | Falkenstraße 3 | 71570 Oppenweiler | Fon +49 (71 91) 47-0 | Fax +49 (71 91) 47-491000 | shop@murrelektronik.com | shop.murrelektronik.com

Packaging unit

1