

MTS SINGLE-PHASE CONTROL AND ISOLATION TRANSFORMER

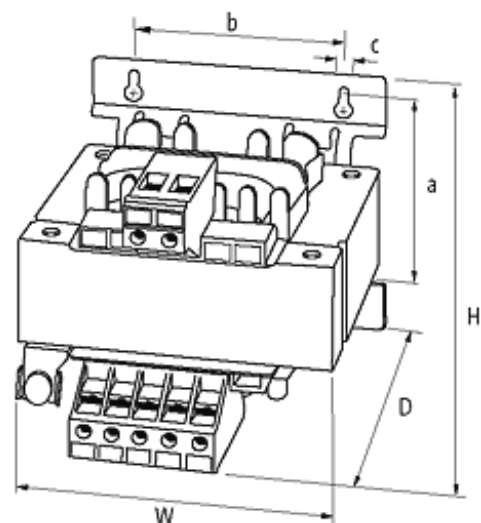
P:63VA IN:400/690VAC OUT :230VAC

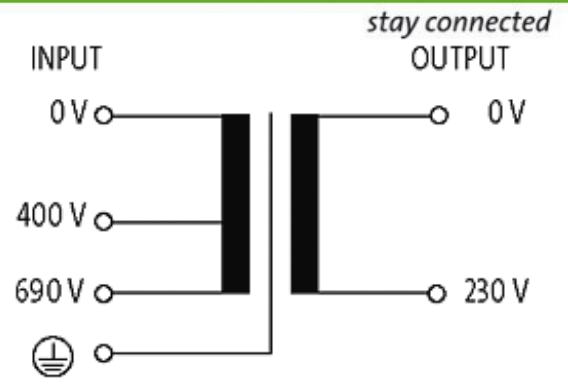
Single-phase - Control and Isolation Transformers
63 VA
Isolation class T 40/B

Other voltages on request.

[Link to Product](#)

Illustration





Product may differ from Image

Input

Input voltage	400/690 V AC
Input current	0.22 A (400 V AC); 0.13 A (690 V AC)
Inrush current	1.8 A (400 V AC)
Short-circuit current	2 A (400 V AC)
Frequency	50...60 Hz

General data

Standards	EN 61558-2-4, EN 62041 category 0
Test isolation voltage	6.5 kV
Mounting method	Screw and DIN-rail mounting
Dimensions H x W x D	88x78x93 mm
Fixing centers a x b x c	56x56x4.8 mm
Drill hole Ø	4.8x8.4 mm
Temperature range	-20...+40 °C (storage temperature -40...+80 °C)

Output

Output voltage	230 V AC
Output rating	63 VA

Commercial data

country of origin	CZ
customs tariff number	85043180
EAN	4048879073899
eClass	27031202
Packaging unit	1