

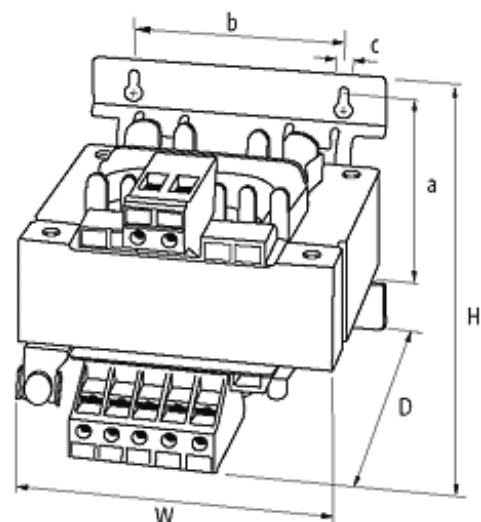
MET SINGLE-PHASE CONTROL AND ISOLATION TRANSFORMER

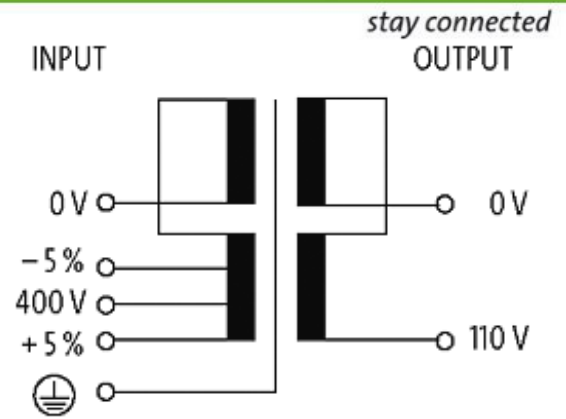
P:2000VA IN:400VAC±5% OUT:110VAC

Single-phase - Control and Isolation Transformers
2 000 VA
Isolation class T 40/B

[Link to Product](#)

Illustration





Product may differ from Image

Approvals



Input

Input voltage	400 V AC $\pm 5\%$
Input current	5.3 A (400 V AC)
Inrush current	94 A (400 V AC)
Short-circuit current	195 A (400 V AC)
Frequency	50...60 Hz

General data

Standards	EN 61558-1, EN 61558-2-4, EN 62041 category 0
Test isolation voltage	5.1 kV (prim./sec.)
Fixing centers a x b x c	200x174x9 mm
Dimensions H x W x D	170x195x250 mm
Drill hole \emptyset	9x14 mm
Mounting method	screw fixing
Temperature range	-20...+40 °C (storage temperature -40...+80 °C)

Output

Output voltage	110 V AC
Output rating	2 000 VA

Commercial data

country of origin	CZ
customs tariff number	85043200
EAN	4048879073851
eClass	27031202
Packaging unit	1