

## MST SINGLE-PHASE SAFETY TRANSFORMER

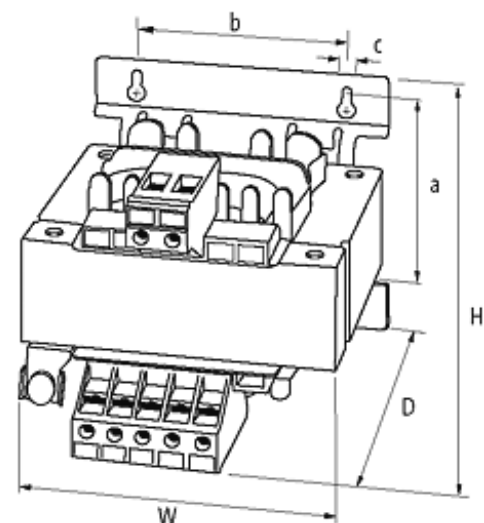
P:40VA IN:230/460VAC OUT :9VAC

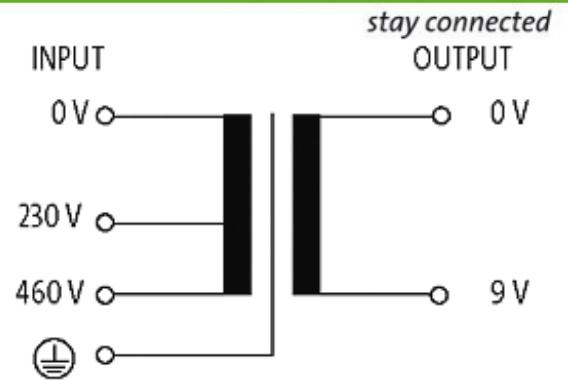
Single-phase - Control and Isolation Transformers  
40 VA  
Isolation class T 40/B

Other voltages on request.

### [Link to Product](#)

#### Illustration





Product may differ from Image

### Input

Input voltage	230/460 V AC
Input current	0.24 A (230 V AC); 0.12 A (460 V AC)
Inrush current	1.39 A (230 V AC)
Short-circuit current	1.76 A (230 V AC)
Frequency	50...60 Hz

### General data

Standards	EN 61558-1, EN 61558-2-6, EN 62041 category 0
Test isolation voltage	4.8 kV
Mounting method	Key-hole mounting
Dimensions H x W x D	80x66x79 mm
Fixing centers a x b x c	54x50x48 mm
Temperature range	-20...+40 °C (storage temperature -40...+80 °C)

### Output

Output voltage	9 V AC
Output rating	40 VA

### Commercial data

country of origin	CZ
customs tariff number	85043180
EAN	4048879073837
eClass	27031202
Packaging unit	1