

MST SINGLE-PHASE CONTROL AND ISOLATION TRANSFORMER

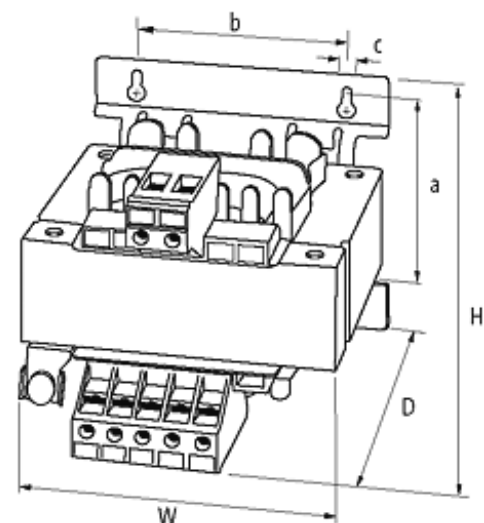
P:160VA IN:230/460VAC OUT :25/220VAC

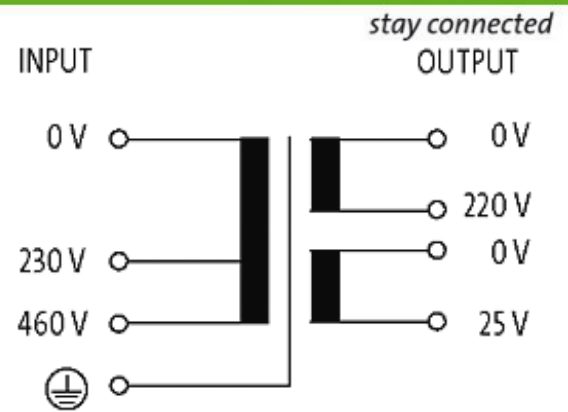
Single-phase - Control and Isolation Transformers
 140 VA (220 V AC)
 20 VA (25 V AC)

Other voltages on request.

[Link to Product](#)

Illustration





Product may differ from Image

Input

Input voltage	230/400 ±15 V AC
Input current	0.84 A (230 V AC); 0.42 A (460 V AC)
Inrush current	12 A (230 V AC)
Short-circuit current	15.6 A (230 V AC)
Frequency	50...60 Hz

General data

Standards	EN 61558-2-4, EN 62041 category 0
Test isolation voltage	4.8 kV
Mounting method	Key-hole mounting
Dimensions H × W × D	105×96×91 mm
Fixing centers a × b × c	75.3×84×5.8 mm
Temperature range	-20...+40 °C (storage temperature -40...+80 °C)

Output

Output voltage	220/25 V AC
Output rating	160 VA

Commercial data

country of origin	CZ
customs tariff number	85043180
EAN	4048879073820
eClass	27031202
Packaging unit	1