

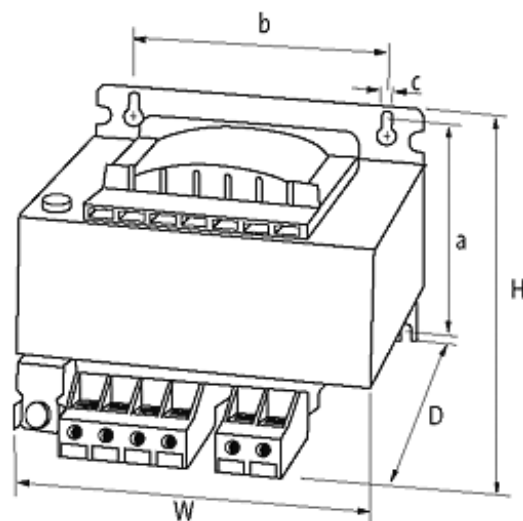
MET SINGLE-PHASE SAFETY TRANSFORMER

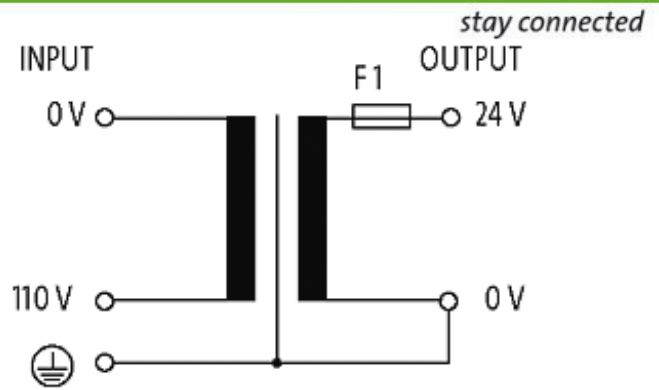
P:100VA IN:110VAC OUT :24VAC with fuse-clamp

Single-phase - Control and Isolation Transformers
 100 VA
 Isolation class T 60/B
 with fuse

[Link to Product](#)

Illustration





Product may differ from Image

Approvals



Input

Input voltage	110 V AC
Input current	1.07 A (110 V AC)
Inrush current	9 A (110 V AC)
Short-circuit current	12 A (110 V AC)
Frequency	50...60 Hz

General data

Standards	EN 61558-1, EN 61558-2-6, EN 62041 category 0
Test isolation voltage	3.5 kV
Mounting method	Key-hole mounting
Dimensions H x W x D	82x6x105 mm
Fixing centers a x b x c	47x64x4.8 mm
Drill hole Ø	4.8x8 mm
Temperature range	-20...+60 °C (storage temperature -40...+80 °C)

Output

Output voltage	24 V AC
Output rating	100 VA

Commercial data

country of origin	CZ
customs tariff number	85043180
EAN	4048879073776
eClass	27031202
Packaging unit	1