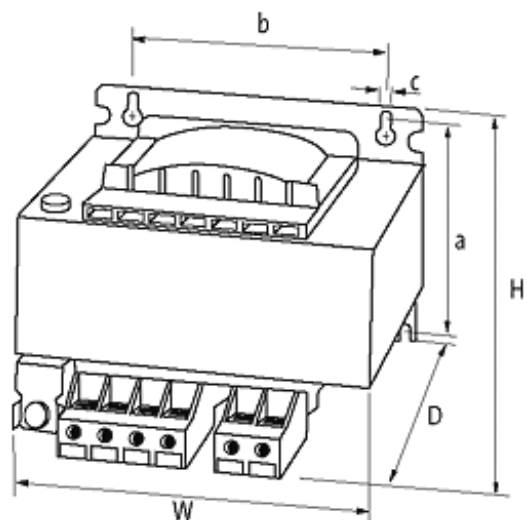
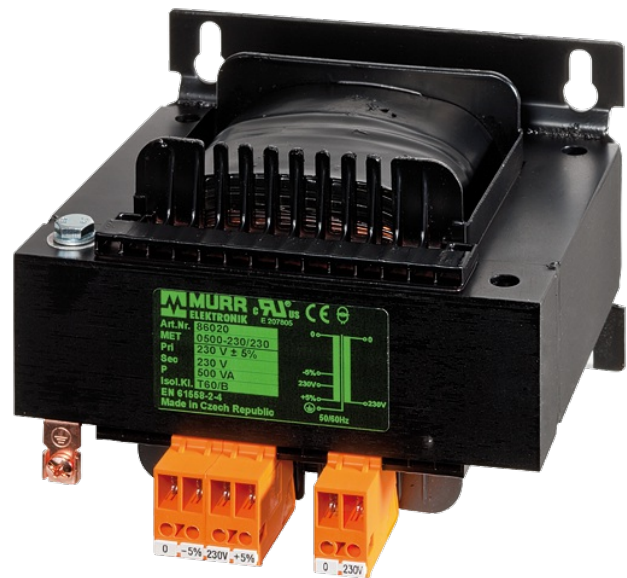
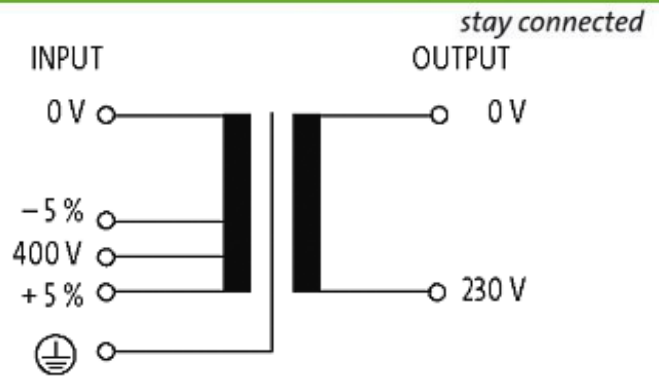


MST SINGLE-PHASE CONTROL AND ISOLATION TRANSFORMER

P:630VA IN:400VAC±5% OUT :230VAC

Single-phase - Control and Isolation Transformers
630 VA
Isolation class T 40/B

[Link to Product](#)**Illustration**



Product may differ from Image

Approvals



Input

Input voltage	400 V AC \pm 5%
Input current	1.77 A (400 V AC)
Inrush current	25 A (400 V AC)
Short-circuit current	44 A (400 V AC)
Frequency	50...60 Hz

General data

Standards	EN 61558-1, EN 61558-2-4, EN 62041 category 0
Test isolation voltage	4.7 kV
Fixing centers a x b x c	90.6x122x7 mm
Dimensions H x W x D	115x150x143 mm
Mounting method	Key-hole mounting
Temperature range	-20...+40 °C (storage temperature -40...+80 °C)

Output

Output voltage	230 V AC
Output rating	630 VA

Commercial data

country of origin	CZ
customs tariff number	85043180
EAN	4048879073769
eClass	27031202
Packaging unit	1