

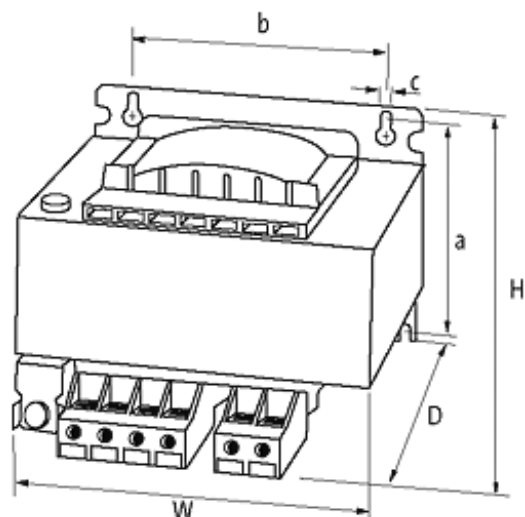
MET SINGLE-PHASE CONTROL AND ISOLATION TRANSFORMER

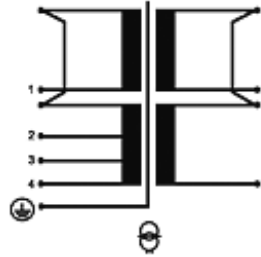
P:3000VA IN:400VAC±5% OUT :230VAC

Single-phase - Control and Isolation Transformers
 3 000 VA
 Isolation class T 60/B

[Link to Product](#)

Illustration



stay connected

Eingang:	Klemme:
400V -5%	1+2
400V	1+3
400V +5%	1+4
Ausgang:	
230 VAC	5+6

Product may differ from Image

Input

Input voltage	400 V AC \pm 5%
Input current	7.9 A (400 V AC)
Inrush current	170 A (400 V AC)
Short-circuit current	620 A (400 V AC)
Frequency	50...60 Hz

General data

Standards	EN 61558-1, EN 61558-2-4, EN 62041 category 0
Test isolation voltage	4.7 kV
Fixing centers a x b x c	200x174x9 mm
Dimensions H x W x D	210x197x250 mm
Drill hole \emptyset	9x14 mm
Mounting method	Key-hole mounting
Temperature range	-25...+70 °C (storage temperature -40...+80 °C)

Output

Output voltage	230 V AC
Output rating	3 000 VA

Commercial data

country of origin	CZ
customs tariff number	85043200
EAN	4048879283014
eClass	27031202
Packaging unit	1