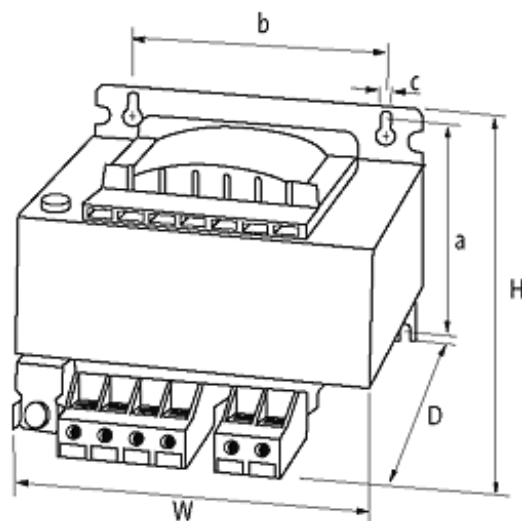
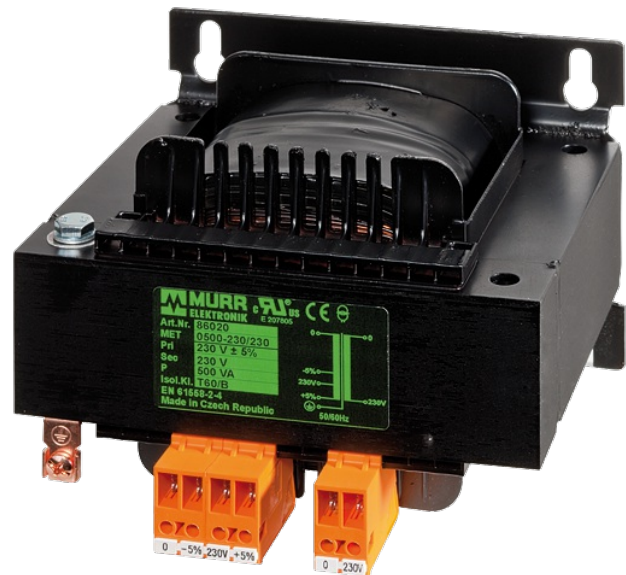


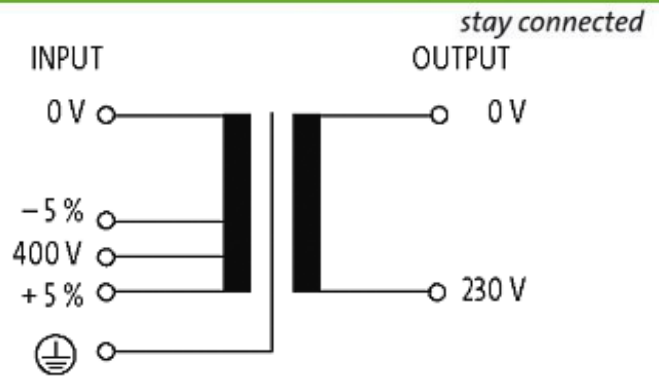
MST SINGLE-PHASE CONTROL AND ISOLATION TRANSFORMER

P:500VA IN:400VAC±5% OUT :230VAC

Single-phase - Control and Isolation Transformers
500 VA
Isolation class T 40/B

Other voltages on request.

[Link to Product](#)**Illustration**



Product may differ from Image

Input

Input voltage	400 V AC \pm 5%
Input current	1.4 A (400 V AC)
Inrush current	21 A (400 V AC)
Short-circuit current	34 A (400 V AC)
Frequency	50...60 Hz

General data

Standards	EN 61558-1, EN 61558-2-4, EN 62041 category 0
Test isolation voltage	5.8 kV (prim./sec.)
Mounting method	Screw fixing M5, 4 pcs. in rectangle 87 × 104 mm
Dimensions H × W × D	118×135×132 mm
Fixing centers a × b × c	87×104×5.8 mm
Temperature range	-20...+40 °C (storage temperature -40...+80 °C)

Output

Output voltage	230 V AC
Output rating	500 VA

Commercial data

country of origin	CZ
customs tariff number	85043180
EAN	4048879287319
eClass	27031202
Packaging unit	1