

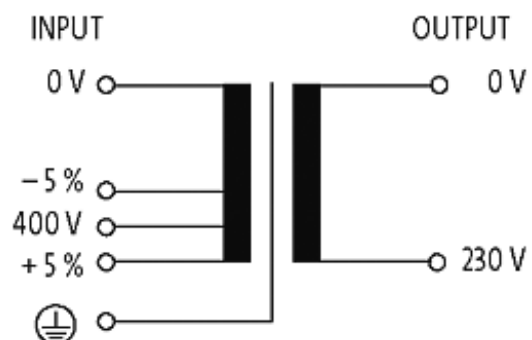
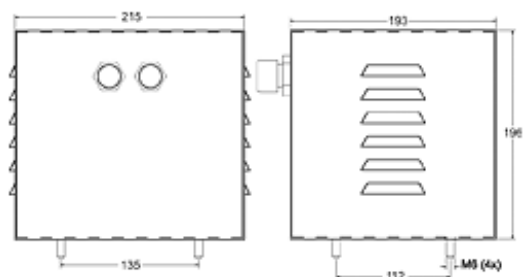
MET SINGLE-PHASE CONTROL AND ISOLATION TRANSFORMER

P:1000VA IN:400VAC±5% OUT :230VAC

Single-phase - Control and Isolation Transformers
1 000 VA
Isolation class T 40/B
with housing

[Link to Product](#)

Illustration



Product may differ from Image

Input	
Input voltage	400 V AC \pm 5%
Input current	2.68 A (400 V AC)
Inrush current	37 A (400 V AC)
Short-circuit current	122 A (400 V AC)
Frequency	50...60 Hz
General data	
Standards	EN 61558-1, EN 61558-2-4, EN 62041 category 0
Test isolation voltage	5.1 kV (prim./sec.)
Fixing centers a x b x c	112x135 mm
Dimensions H x W x D	193x215x196 mm
Mounting method	screw fixing
Temperature range	-20...+40 °C (storage temperature -40...+80 °C)
Output	
Output voltage	230 V AC
Output rating	1 000 VA
Commercial data	
country of origin	CZ
customs tariff number	85043180
EAN	4048879288804
eClass	27031202
Packaging unit	1