

MST SINGLE-PHASE CONTROL AND ISOLATION TRANSFORMER

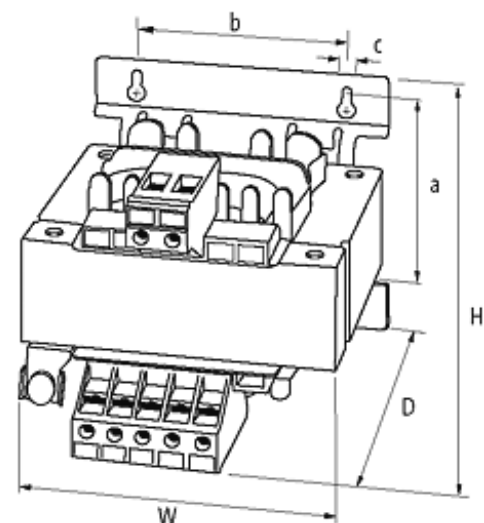
P:1000VA IN:400/420/440VAC OUT :230VAC

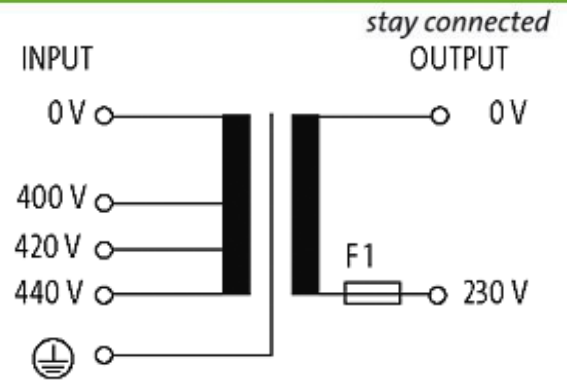
Single-phase - Control and Isolation Transformers
1 000 VA
with fuse

Other voltages on request.

[Link to Product](#)

Illustration





Product may differ from Image

Input

Input voltage	400, 420, 440 V AC
Input current	2.8 A (400 V AC)
Inrush current	31 A (400 V AC)
Short-circuit current	78 A (400 V AC)
Frequency	50...60 Hz

General data

Standards	EN 61558-2-4, EN 62041 category 0
Test isolation voltage	5.7 kV
Mounting method	Key-hole mounting
Dimensions H x W x D	156x150x150 mm
Fixing centers a x b x c	134x122x7 mm
Temperature range	-20...+40 °C (storage temperature -40...+80 °C)

Output

Output voltage	230 V AC
Output rating	1 000 VA

Commercial data

country of origin	CZ
customs tariff number	85043180
EAN	4048879294492
eClass	27031202
Packaging unit	1