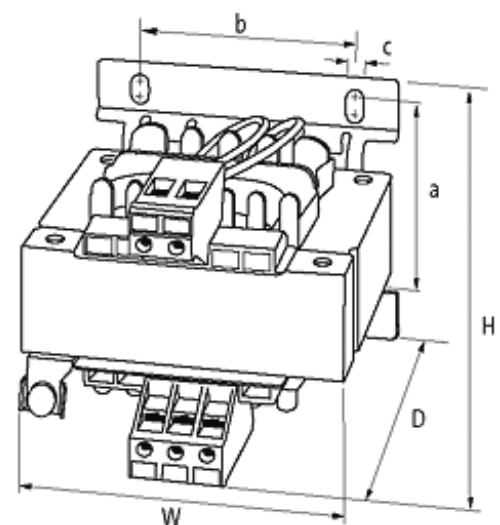


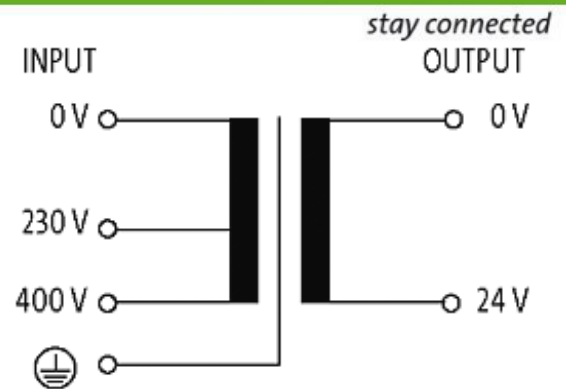
MTS SINGLE-PHASE SAFETY TRANSFORMER

P:40VA IN:230/400VAC OUT :24VAC

Single-phase - Control and Isolation Transformers
40 VA

Other voltages on request.

[Link to Product](#)**Illustration**



Product may differ from Image

Input

Input voltage	230/400 V AC
Input current	0.23 A (230 V AC); 0.13 A (400 V AC)
Inrush current	1.4 A (230 V AC); 0.8 A (400 V AC)
Short-circuit current	2.1 A (230 V AC); 1.2 A (400 V AC)
Frequency	50...60 Hz

General data

Standards	EN 61558-2-6, EN 62041 category 0
Test isolation voltage	5.8 kV (prim./sec.)
Mounting method	Key-hole mounting
Dimensions H × W × D	87×79×93 mm
Fixing centers a × b × c	56×56×4.8 mm
Drill hole Ø	4.8×8.4 mm
Temperature range	-20...+60 °C (storage temperature -40...+80 °C)

Output

Output voltage	24 V AC
Output rating	40 VA

Commercial data

country of origin	CZ
customs tariff number	85043180
EAN	4048879303903
eClass	27031202
Packaging unit	1