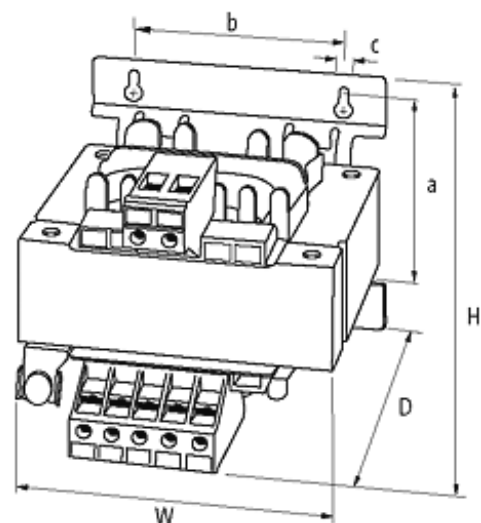


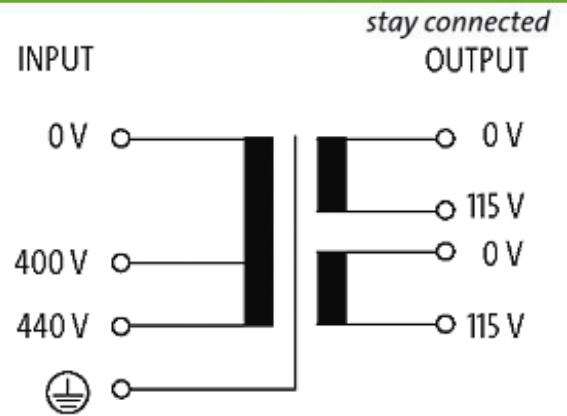
MST SINGLE-PHASE CONTROL AND ISOLATION TRANSFORMER

P:500VA IN:400/440VAC OUT:115/230VAC

Single-phase - Control and Isolation Transformers
500 VA
Isolation class T 40/B

Other voltages on request.

[Link to Product](#)**Illustration**



Product may differ from Image

Input

Input voltage	400, 440 V AC
Input current	1.37 A (400 V AC); 1.25 A (440 V AC)
Inrush current	13 A (400 V AC); 12 A (440 V AC)
Short-circuit current	32 A (400 V AC); 29 A (440 V AC)
Frequency	50...60 Hz

General data

Standards	EN 61558-2-4, EN 62041 category 0
Test isolation voltage	5.9 kV
Mounting method	Key-hole mounting
Dimensions H x W x D	130x120x140 mm
Fixing centers a x b x c	103.5x90x5.8 mm
Drill hole Ø	5.8x12 mm
Temperature range	-20...+40 °C (storage temperature -40...+80 °C)

Output

Output voltage	1 x 230, 1 x 115, 2 x 115 V AC
Output rating	500 VA

Commercial data

country of origin	CZ
customs tariff number	85043180
EAN	4048879325837
eClass	27031202
Packaging unit	1