

MTS SINGLE-PHASE SAFETY TRANSFORMER

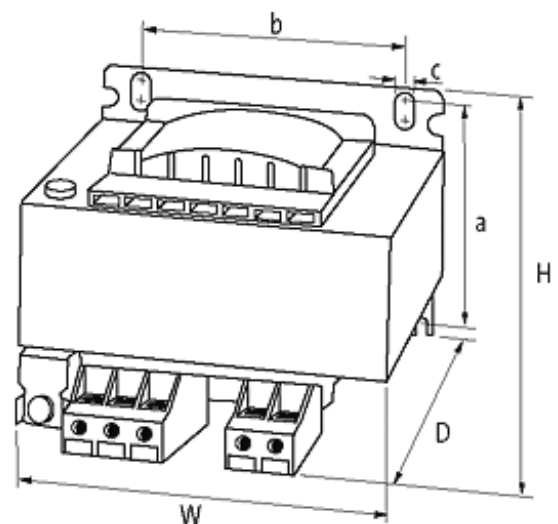
P:100VA IN:230/400VAC OUT :24VAC

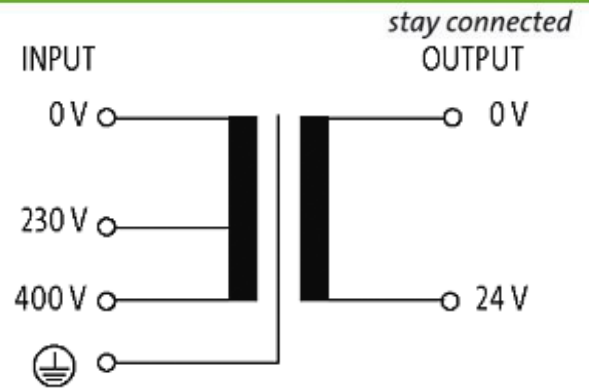
Single-phase - Control and Isolation Transformers
 100 VA
 Isolation class T 40/B
 Protection IP20

Other voltages on request.

[Link to Product](#)

Illustration





Product may differ from Image

Approvals



Input

| | |
|-----------------------|-------------------------------------|
| Input voltage | 230/400 V AC |
| Input current | 0.52 A (230 V AC); 0.3 A (400 V AC) |
| Inrush current | 3.7 A (230 V AC); 2.1 A (400 V AC) |
| Short-circuit current | 6 A (230 V AC); 3.5 A (400 V AC) |
| Frequency | 50...60 Hz |

General data

| | |
|--------------------------|--|
| Test isolation voltage | 4 kV (prim./sec.) |
| Standards | EN 61558-1, EN 61558-2-4, EN 62041 category 0 |
| Drill hole Ø | 4.8×8.4 mm |
| Mounting method | Long-hole mounting or DIN-rail mountable TH35 (EN 60715) |
| Fixing centers a × b × c | 64.5×64×4.8 mm |
| Dimensions H × W × D | 88×84×98 mm |
| Temperature range | -20...+60 °C (storage temperature -40...+80 °C) |

Output

| | |
|----------------|---------|
| Output voltage | 24 V AC |
| Output rating | 100 VA |

Commercial data

| | |
|-----------------------|---------------|
| country of origin | CZ |
| customs tariff number | 85043180 |
| EAN | 4048879329408 |
| eClass | 27031202 |
| Packaging unit | 1 |