

MET SINGLE-PHASE CONTROL AND ISOLATION TRANSFORMER

P:1000VA IN:440VAC±5% OUT:127VAC

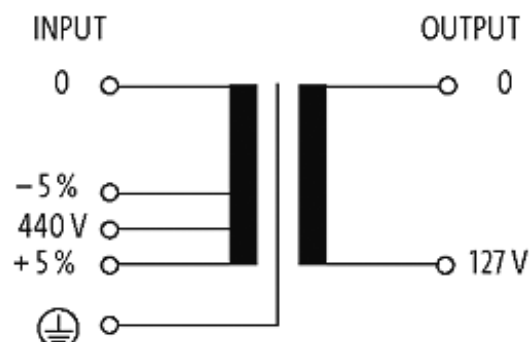
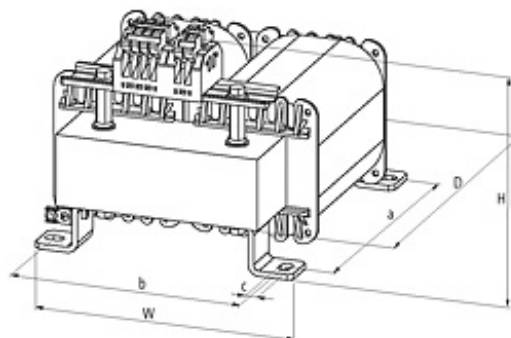
Single-phase - Control and Isolation Transformers

1 000 VA

Isolation class T 60/B

[Link to Product](#)

Illustration



Product may differ from image

Product may differ from image

Approvals



Input

Input voltage	440 V AC \pm 5%
Input current	2.43 A (440 V AC)
Inrush current	45 A (440 V AC)
Short-circuit current	100 A (440 V AC)
Frequency	50...60 Hz

General data

Dimensions H x W x D	137x174x165 mm
Fixing centers a x b x c	111.5x135x7 mm
Drill hole \varnothing	7x16 mm
Mounting method	Long-hole mounting
Temperature range	-20...+60 °C (storage temperature -40...+80 °C)
Standards	EN 61558-2-4, EN 62041 category 0
Test isolation voltage	5.9 kV (prim./sec.)

Output

Output voltage	127 V AC
Output rating	1 000 VA

Commercial data

country of origin	CZ
customs tariff number	85043180
EAN	4048879335096
eClass	27031202
Packaging unit	1