

MTS SINGLE-PHASE CONTROL AND ISOLATION TRANSFORMER

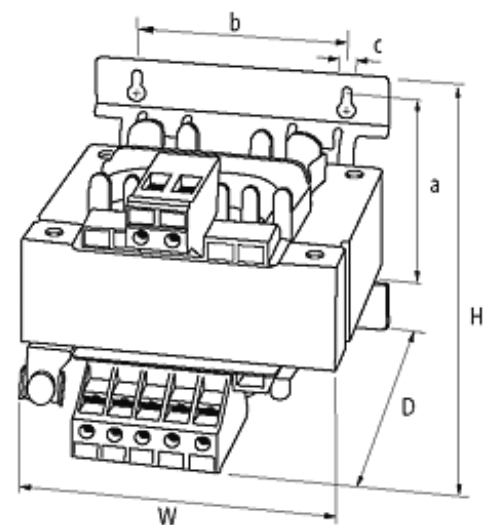
P:100VA IN:400/440VAC OUT:115/230VAC

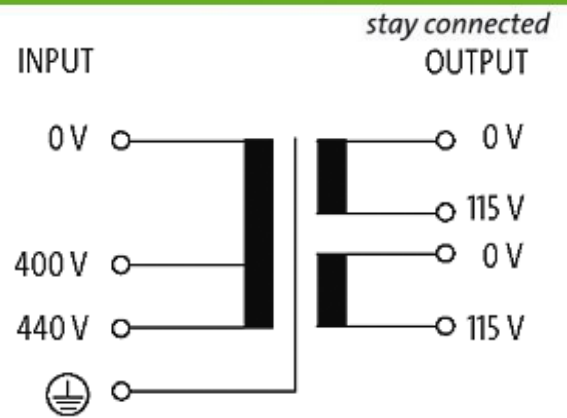
Single-phase - Control and Isolation Transformers
100 VA
Isolation class T 40/B

Other voltages on request.

[Link to Product](#)

Illustration





Product may differ from Image

Input

Input voltage	400, 440 V AC
Input current	0.32 A (400 V AC); 0.28 A (440 V AC)
Inrush current	2.3 A (400 V AC); 2.1 A (440 V AC)
Short-circuit current	3.1 A (400 V AC); 2.8 A (440 V AC)
Frequency	50...60 Hz

General data

Standards	EN 61558-2-4, EN 62041 category 0
Test isolation voltage	5.9 kV
Mounting method	Long-hole mounting
Dimensions H × W × D	99×84×98 mm
Fixing centers a × b × c	64.5×64×4.8 mm
Drill hole Ø	4.8×8.4 mm
Temperature range	-20...+40 °C (storage temperature -40...+80 °C)

Output

Output voltage	1 × 230, 1 × 115, 2 × 115 V AC
Output rating	100 VA

Commercial data

country of origin	CZ
customs tariff number	85043180
EAN	4048879333801
eClass	27031202
Packaging unit	1