

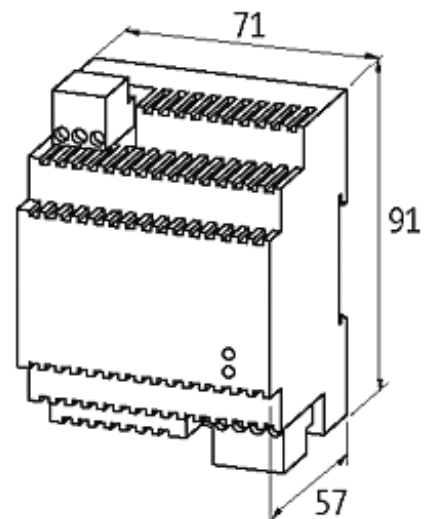
PICCO 24V/2,5A (60W) - POWER SUPPLY / 1-PHASE

In: 110-230VAC / OUT: 24 - 28VDC/2,5A

INPUT: 100...240 V AC; 120...370 V DC

OUTPUT: 24...28 V DC

Current: 2.5 A

Screw terminal: 0.14...1.5 mm²[Link to Product](#)**Illustration**

Product may differ from Image

Approvals



Input

| | |
|---------------------------|------------------------------------|
| Input voltage | 100...240 V AC/120...370 V DC |
| Input current | 1.1 A (115 V AC); 0.6 A (230 V AC) |
| Inrush current after 1 ms | max. 60 A |
| Frequency | 50...60 Hz |
| Primary fusing external | max. 16 A |

General data

| | |
|-------------------|---|
| Standards | EN 60950-1, EN 61204-3, EN 55022 B, EN 61000-3-2 |
| Relative humidity | 20...90%, no condensation |
| Protection | IP20 |
| Efficiency | 86% (110 V AC); 88% (230 V AC) |
| Mounting method | DIN-rail mountable TH35 (EN 60715) |
| Temperature range | 0...+50 °C, ...+60 °C derating (storage temperature -25...+85 °C) |

Output

| | |
|-----------------------------|--|
| Output voltage | 24 V DC (SELV), $\pm 1\%$; 24...28 V adjustable |
| Output current | 2.5 A (+50 °C); 0.25 A (+70 °C) |
| Mains failure bridging time | 10...25 ms (115 V AC) |
| Ripple | max. 20 mVrms |
| Spikes | max. 100 mV p-p |
| Unit protection | Short-circuit and overload protected |
| LED display | LED (green) for output voltage |
| Parallel usage/serial usage | max. 5 units/max. 2 units |

Commercial data

| | |
|-----------------------|---------------|
| country of origin | CN |
| customs tariff number | 85044090 |
| EAN | 4048879299893 |
| eClass | 27049002 |
| Packaging unit | 1 |