

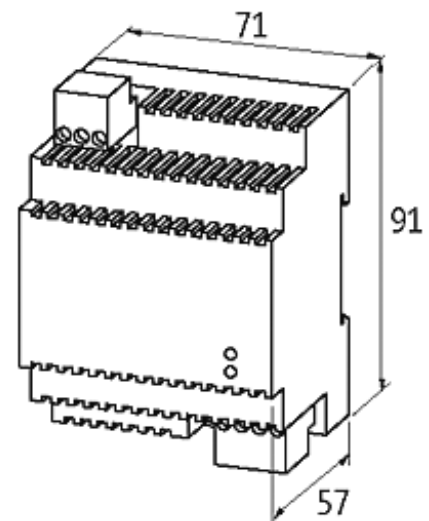
**PICCO 12V/4,5A (54W) - POWER SUPPLY / 1-PHASE**

In: 110-230VAC / OUT: 12 - 15VDC/4,5A

INPUT: 100...240 V AC; 120...370 V DC

OUTPUT: 12...15 V DC

Current: 4.5 A

Spring clamp plug-in terminal: 0.2...2.5 mm<sup>2</sup>[Link to Product](#)**Illustration**

Product may differ from Image

**Approvals**



### Input

Input voltage	100...240 V AC/120...370 V DC
Input current	1 A (115 V AC); 0.58 A (230 V AC)
Inrush current after 1 ms	max. 60 A
Frequency	50...60 Hz
Primary fusing external	max. 16 A

### General data

Standards	EN 60950-1, EN 61204-3, EN 55022 B, EN 61000-3-2
Relative humidity	20...90%, no condensation
Protection	IP20
Efficiency	86% (110 V AC); 88% (230 V AC)
Mounting method	DIN-rail mountable TH35 (EN 60715)
Temperature range	0...+50 °C, ...+60 °C derating (storage temperature -25...+85 °C)

### Output

Output voltage	12 V DC (SELV), $\pm 1\%$ ; 12...15 V adjustable
Output current	4.5 A (+50 °C); 0.45 A (+70 °C)
Mains failure bridging time	10...25 ms (115 V AC)
Ripple	max. 20 mVrms
Spikes	max. 100 mV p-p
Unit protection	Short-circuit and overload protected
LED display	LED (green) for output voltage
Parallel usage/serial usage	max. 5 units/max. 2 units

### Commercial data

country of origin	CN
customs tariff number	85044090
EAN	4048879299923
eClass	27049002
Packaging unit	1