

Incremental encoders

Mini series - shaft $\varnothing 6$ mm

100...25000 manual adjustable

BNIV



BNIV

Features

- Encoder with 16 predefined resolutions
- Max. 25000 pulses per revolution
- Optical sensing method
- Manual adjustment without any programming tool
- Housing $\varnothing 40$ mm
- Operation speed max. 3000 rpm
- Solid shaft $\varnothing 6$ mm

Technical data - electrical ratings

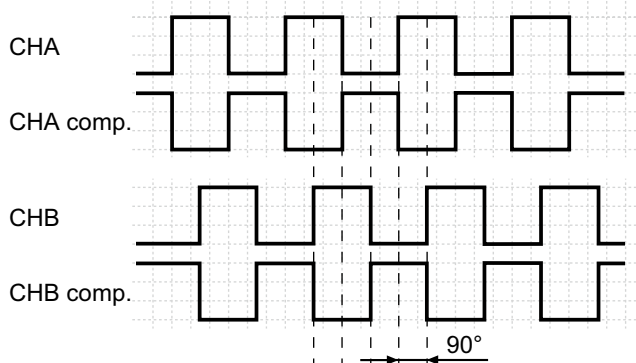
Voltage supply	4.75...30 VDC
Consumption typ.	100 mA (24 VDC, w/o load)
Pulses per revolution	100...25000
Sensing method	Optical
Output frequency	≤ 300 kHz
Output signals	A 90° B
Output stages	Linedriver/RS422 Push-pull antivalent, short-circuit proof (HTL)
Interference immunity	DIN EN 61000-6-2
Emitted interference	DIN EN 61000-6-3

Technical data - mechanical design

Size (flange)	$\varnothing 40$ mm
Shaft type	$\varnothing 6$ mm solid shaft
Admitted shaft load	≤ 10 N axial ≤ 40 N radial
Flange	Synchro flange
Protection DIN EN 60529	IP 64
Operating speed	≤ 3000 rpm
Operating torque typ.	0.0075 Nm (3000 rpm / 20 °C)
Materials	Housing: aluminium Flange: aluminium
Operating temperature	-20...+85 °C
Relative humidity	95 % non-condensing
Resistance	DIN EN 60068-2-6 Vibration 10 g, 10-2000 Hz DIN EN 60068-2-27 Shock 50 g, 11 ms
Connection	Connector M12, 8-pin Cable 2 m
Weight approx.	100 g

Output signals

Counter clockwise rotating direction when looking at the flange.



Switch setting (HEX switch)

Switch	Resolution	Switch	Resolution
0	100	8	2000
1	200	9	2048 (default)
2	360	A	2500
3	500	B	3600
4	512	C	5000
5	720	D	10000
6	1000	E	20000
7	1024	F	25000

Incremental encoders

Mini series - shaft $\varnothing 6$ mm

100...25000 manual adjustable

BNIV

Part number

BNIV 40Z1D. **26W** **2048L6**

Connection

5 Cable 2 m, radial

N Connector M12, 8-pin, radial

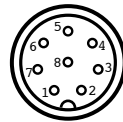
Voltage supply / signals

26W 4.75...30 VDC / push-pull antivalent short-circuit proof

Terminal assignment

Connector	Core colour	Signals
Pin 1	white	0 V
Pin 2	brown	+Vs
Pin 3	green	CHA
Pin 4	yellow	CHB
Pin 5	grey	n.c.
Pin 6	pink	n.c.
Pin 7	blue	CHB comp.
Pin 8	red	CHA comp.

Connector M12 – for connection reference -N



Accessories

Connectors and cables

10146775 Female connector M12, 8-pin, straight, without cable

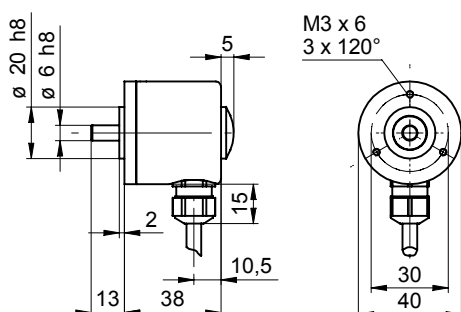
Trigger level

Outputs	RS422
Output level High	>2.4 V (I = -20 mA)
Output level Low	<0.5 V (I = 20 mA)
Load High/Low	<20 mA

Outputs	HTL
Output level High	>+Vs -3 V (I = -20 mA)
Output level Low	<0.5 V (I = 20 mA)
Load High/Low	<20 mA

Dimensions

BNIV cable



BNIV connector M12

