

# Accessories

## Mounting accessories

### Mounting kit 019



#### Features

- For high-dynamic applications.

#### Description

Torque support onto encoder by help of the attached screws. Push encoder onto the drive shaft and mount torque support onto the client side. Fastening clamping ring by the screw provided.

#### Part number

11073114 Torque arm, 3-armed, bolt circle  $\varnothing 76$  mm, mounting M3 (mounting kit 019)

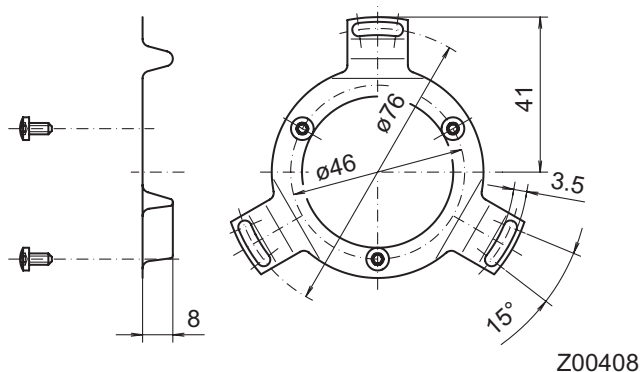
#### Scope of delivery

Included:  
torque support, three screws M3 x 6 (DIN 7985 - TX10)

#### Suitable for

ATD2AH00, ITD21H00, ITD21H00 HT, ITD22H00, ITD22H00 SIL

#### Dimensions



#### Assembly drawing

