

Absolute encoders - BiSS C

Blind hollow shaft ø6 mm

Optical singleturn encoder 21 bit

EFL360 - BiSS C



EFL360-B

Technical data - electrical ratings

Voltage supply	5 VDC ±10 %
Consumption w/o load	≤100 mA
Interface	BiSS C
Function	Singleturn
Steps per turn	21 bit
Telegram	21 bits + error + warning
Telegram + CRC	23 bits + 6 bits CRC
Processing time	≤7 µs
Sensing method	Optical
Code	Gray or binary
Measuring range temperature sensor	-40...+125 °C (PCB temperature)
Accuracy temperature sensor	±7 °C
Interference immunity	EN 61000-6-2 (when installed)
Emitted interference	EN 61000-6-3 (when installed)
Approval	CE

Features

- Encoder singleturn / BiSS C
- Encoder for integration
- Optical sensing method
- Resolution: singleturn 21 bit

Optional

- Temperature sensor
- Multiturn in preparation

Technical data - mechanical design

Size (flange)	ø36 mm
Shaft type	ø6 mm (blind hollow shaft)
Protection DIN EN 60529	IP 20
Operating speed	≤6000 rpm (mechanical) (higher on request)
Starting torque	≤0.2 Ncm
Rotor moment of inertia	4 gcm ²
Material	Flange: aluminium
Operating temperature	-20...+115 °C
Relative humidity	98 % non-condensing
Resistance	IEC 60068-2-6 Vibration 10 g, 16-2000 Hz IEC 60068-2-27 Shock 100 g, 6 ms
Weight approx.	42 g
Connection	IllumiMate™ PCB connector 6-pin

Absolute encoders - BiSS C

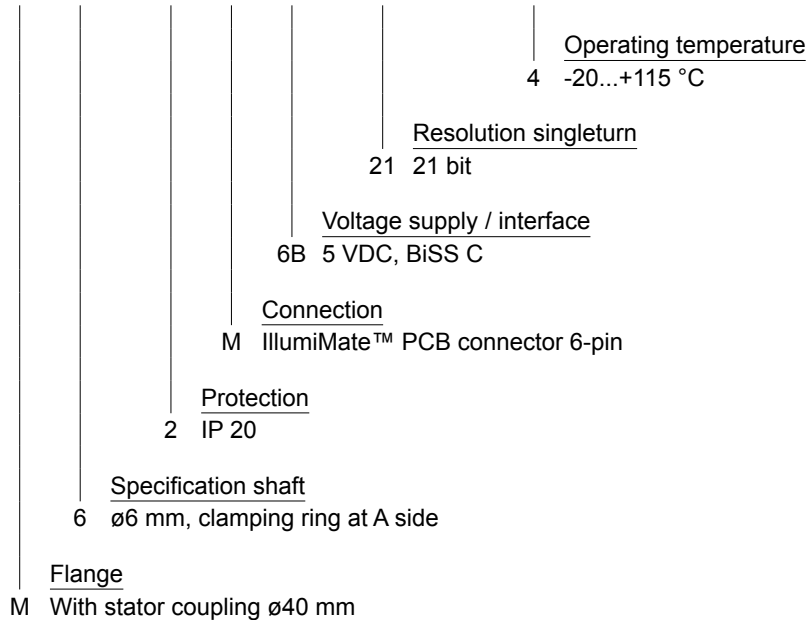
Blind hollow shaft ø6 mm

Optical singleturn encoder 21 bit

EFL360 - BiSS C

Part number

EFL360-B M 6 . 2 M 6B . 21 000. 4



Accessories

Set screw M3x4 (1 piece), ISO4029

Part number: 11163992

Absolute encoders - BiSS C

Blind hollow shaft $\varnothing 6$ mm

Optical singleturn encoder 21 bit

EFL360 - BiSS C

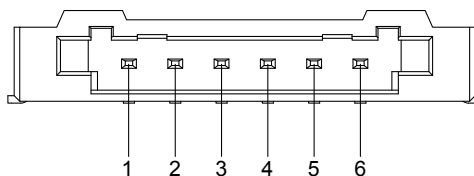
Terminal assignment

EFL360.B - View A

IllumiMate™ PCB connector

Molex 104078-0610, 1x6, 1.25 mm

Pin	Signal	Description
1	Data	Data inverted
2	Data	Data
3	Clock	Clock inverted
4	Clock	Clock
5	GND	Ground
6	VDD	Voltage supply



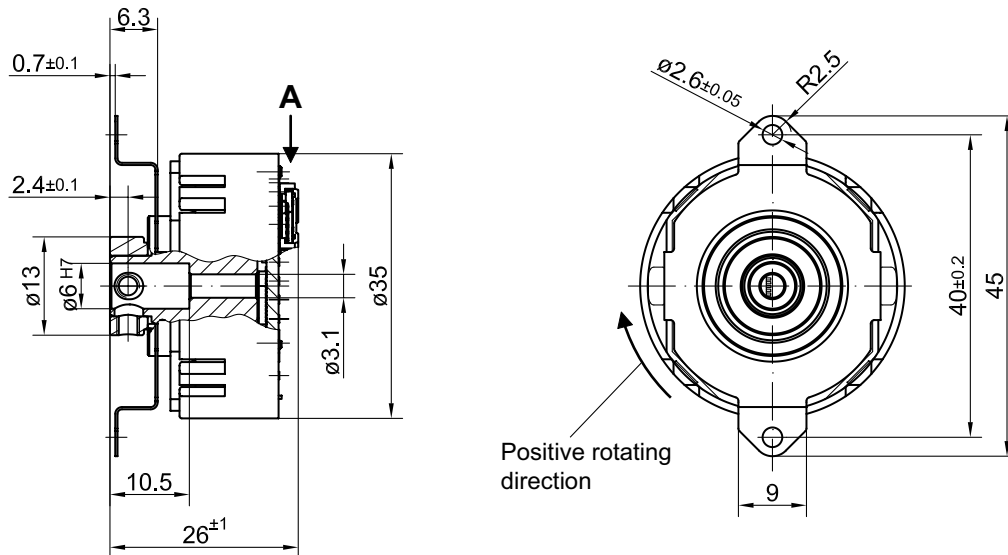
Absolute encoders - BiSS C

Blind hollow shaft $\varnothing 6$ mm

Optical singleturn encoder 21 bit

EFL360 - BiSS C

Dimensions



Required for mounting (not included in scope of delivery): 2x set screw M3x4, ISO4029, available as accessory.